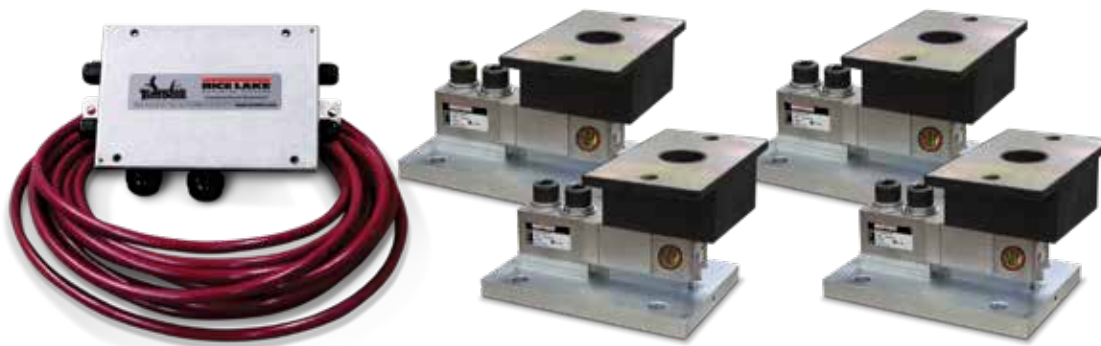


RL50210 TA

1,000lb-2,500lb Capacity Mini Tank Weighing Module



Available in configurations with three or four mounting assemblies.
Picture is a representation of actual product.

The RL50210 TA weigh module kit provides a cost-effective alternative for your customers' medium-range weighing needs. A variety of features makes this kit easy to install and an exceptional choice for various indoor weighing applications where checking requirements are low. Environmentally protected load cells, neoprene isolation/compression mounts and other Rice Lake Weighing Systems components are the keys to this module's performance.



Module with RL35023 single-ended shear beam load cell; capacities (per module):
NTEP Certified 1,000 lb (453.6 kg) load cell shown.

Standard Features

- NTEP Certified load cells (alloy steel only), 1:5000 d, Class III multiple cell
- Zinc plated, mild steel assemblies
- Medium weighing ranges from 1,000 lb-2,500 lb (453.6 kg-1,134.0 kg) per module
- Environmentally protected load cells
- Neoprene isolation/compression mounts allow for minor misalignment, thermal expansion and shock absorption
- Overload stop provides durability
- RL50210 stainless steel mounts use RL35023S stainless steel load cells, capacities: 1,000 lb-2,500 lb (453.6 kg-1,134.0 kg) NTEP Certified cells
- 65059 stainless steel mounts use VPG Sensortronics 65023S NTEP Certified stainless steel load cells

Applications

- Small tanks and hoppers
- Conveyor/In-motion weighing
- Small platform scales where minor shock loading may be a problem

Complete Kit Includes

- One JB4SS NEMA Type 4X stainless steel signal trim junction box
- Three or four RL35023 shear beam load cells
- Three or four neoprene isolation/compression mounts
- 25 ft of our hostile environment EL147HE SURVIVOR® load cell cable

Optional Features

- Welded stainless steel cells available in stainless steel mounts

Load Cell Certifications



Dimensions

Rated Capacity	C	C1	H	H1	L	L1	L2	W	W1	W2	W3
lb/in											
1,000	0.44	—	4.00	0.50	6.00	4.00	3.00	5.13	4.00	3.00	4.13
2,000-2,500	0.44	0.56	4.00	0.50	6.00	4.00	4.62	6.25	4.00	3.00	5.00
kg/mm											
453.6	11.2	—	101.6	12.7	152.4	101.6	76.2	130.3	101.6	76.2	104.9
907.2-1,134.0	11.2	14.2	101.6	12.7	152.4	101.6	117.3	158.8	101.6	76.2	127.0

Order Information

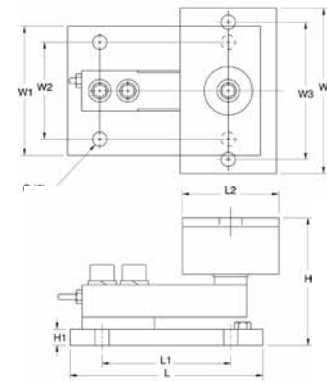
Load Rating (Per Module)*		Part#	Price
Mild Steel Single Module (Includes Load Cell)			
1,000 lb	453.6 kg	17849	Consult
2,000 lb	907.2 kg	17948	Consult
2,500 lb	1,134.0 kg	17949	Consult
Mild Steel 3-Module Kit			
1,000 lb	453.6 kg	18056	Consult
2,000 lb	907.2 kg	30398	Consult
2,500 lb	1,134.0 kg	30396	Consult
Mild Steel 4-Module Kit			
1,000 lb	453.6 kg	18062	Consult
2,000 lb	907.2 kg	30397	Consult
2,500 lb	1,134.0 kg	30395	Consult
Stainless Steel Single Module (Includes Load Cell)			
1,000 lb	453.6 kg	17955	Consult
2,000 lb	907.2 kg	17956	Consult
2,500 lb	1,134.0 kg	17957	Consult
Stainless Steel 3-Module Kit			
1,000 lb	453.6 kg	30404	Consult
2,000 lb	907.2 kg	30402	Consult
2,500 lb	1,134.0 kg	30400	Consult
Stainless Steel 4-Module Kit			
1,000 lb	453.6 kg	30403	Consult
2,000 lb	907.2 kg	30401	Consult
2,500 lb	1,134.0 kg	30399	Consult

* Load rating is per module

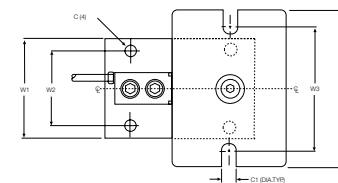
VPG Scentroid® 65059 Order Information

Load Rating (Per Module)*		Part#	Price
Mild Steel Single Module (Includes Load Cell)			
1,000 lb	453.6 kg	17830	Consult
2,000 lb	907.2 kg	17946	Consult
2,500 lb	1,134.0 kg	17947	Consult
Mild Steel 3-Module Kit			
1,000 lb	453.6 kg	18068	Consult
2,000 lb	907.2 kg	30413	Consult
2,500 lb	1,134.0 kg	30412	Consult
Mild Steel 4-Module Kit			
1,000 lb	453.6 kg	18074	Consult
2,000 lb	907.2 kg	30414	Consult
2,500 lb	1,134.0 kg	30411	Consult
Stainless Steel Single Module (Includes Load Cell)			
1,000 lb	453.6 kg	17951	Consult
2,000 lb	907.2 kg	17952	Consult
2,500 lb	1,134.0 kg	17953	Consult
Stainless Steel 3-Module Kit			
1,000 lb	453.6 kg	30410	Consult
2,000 lb	907.2 kg	30408	Consult
2,500 lb	1,134.0 kg	30406	Consult
Stainless Steel 4-Module Kit			
1,000 lb	453.6 kg	30409	Consult
2,000 lb	907.2 kg	30407	Consult
2,500 lb	1,134.0 kg	30405	Consult

* Load rating is per module



1,000 lb (453.6 kg)



2,000 lb-2,500 lb (907.2 kg-1,134.0 kg)