



Incubating Rocking & Waving Shakers



Save Incubator Space with Benchtop Incubating Rocking and Waving Shakers

OHAUS Incubating Rocking and Waving Shakers are designed to incubate samples from 5°C above ambient to 65°C to provide accurate and repeatable results. Rocking shakers provide a see-saw like motion, while waving shakers offer a smooth, low-foaming three-dimensional “wave” motion. All models feature LED displays with touchpad controls. Both models include safety features that protect both the user and samples.

Standard Features:

- **Independent LEDs and Touchpad Control for Temperature, Speed/Tilt Angle and Time**
Equipped with LED displays and touchpad controls for temperature, speed/tilt angle and time. Timer will display elapsed time or when programmed to a set time, will turn off when time reaches zero.
- **Microprocessor with PID Temperature Control**
Microprocessor control provides electronic tilt angle adjustment, allowing easy adjustment in 1° increments for tilt and 1 rpm for speed while unit is running. PID controller for precise temperature control.
- **Safety Features Include Speed Ramping and Overload Protection**
Units slowly increase speed to desired setpoint to avoid splashing, and feature overload protection. Audible and visual signals will activate when system detects an obstruction or overload of the tray.

Incubating Rocking & Waving Shakers

Model	ISRK04HDG	ISWV02HDG
Shaker Type	Rocking Shaker	Waving Shaker
Control	Digital	
Motion / Tilt Angle	Rocking, 0 – 15°	Waving, 0 – 20°
Speed Range	1 – 50 rpm	1 – 30 rpm
Speed Accuracy	± 1 rpm	
Temperature Range	Ambient +5 °C – 65 °C	
Temperature Uniformity	± 0.5 °C at 37 °C	
Timer	1 second – 160 hours	
Capacity	4.5 kg	2.3 kg
Working Environment	41 °F – 104 °F, 80% RH*, non-condensing / 5 °C – 40 °C, 80% RH, non-condensing	
Drive System	Stepper Motor	
Included Tray (L × W)	10 × 7.5 in. / 254 × 191 mm	9.25 × 7.25 in. / 235 × 184 mm
Tray Construction	Aluminum	
Overall Dimensions (L × W × H)	16.5 × 10.1 × 10.8 in. / 419 × 257 × 274 mm	
Inner Dimensions (L × W × H)	10.75 × 7.75 × 3.8 in. / 273 × 197 × 970 mm	10.75 × 7.75 × 3.4 in. / 273 × 197 × 860 mm
Net Weight	12.6 lb / 5.7 kg	13.7 lb / 6.2 kg
Power	120V, 3.74A, 50/60Hz	
Power Consumption	420 W	

*Relative Humidity

Other Standard Features and Equipment

Spill-resistant design, caution hot indicator, detachable 3-wire cord and plug (included)

Compliance

- **Product Safety:** CAN/CSA C22.2 61010-1, CAN/CSA C22.2 61010-2-010, CAN/CSA C22.2 61010-2-051, UL 61010-1
- **Electromagnetic Compatibility:** ICES-003 Class A, FCC Part 15 Class A
- **Compliance Marks:** TÜV SÜD

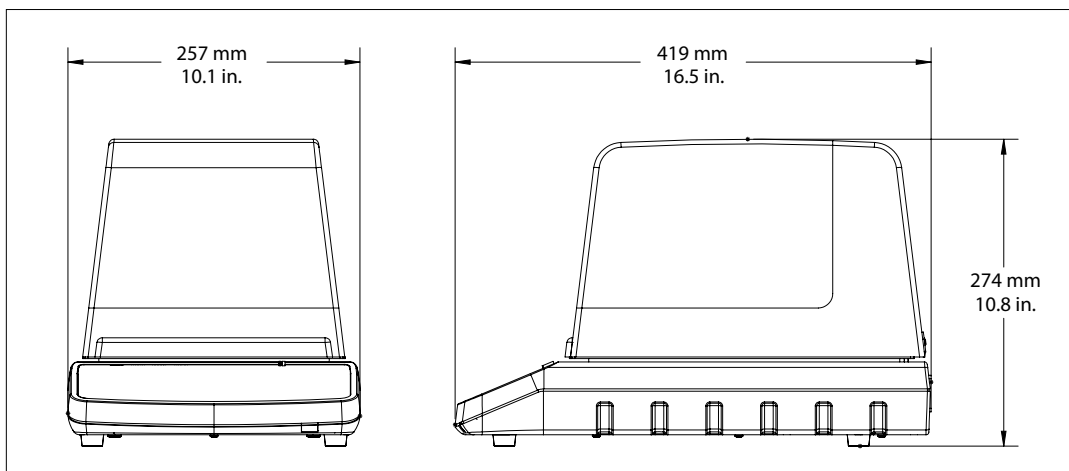
Applications

Hybridizations, cell cultures, blotting techniques, staining and destaining gels

Accessories

Incubating Rocking and Waving Shaker Accessories			
Item No.	Description	ISRK04HDG	ISWV02HDG
30400141	Dimpled Mat, Incubating Rocker ISRK04HDG	•	
30400143	Dimpled Mat, Incubating Waver ISWV02HDG		•

Dimensions



OHAUS CORPORATION

7 Campus Drive
Suite 310
Parsippany, NJ 07054 USA

Tel: 800.672.7722
973.377.9000
Fax: 973.944.7177

www.ohaus.com

The management system
governing the manufacture
of this product is
ISO 9001:2015 certified.

