

RL-MCS Mechanical Chair Scale

16 Inch Wide Seat

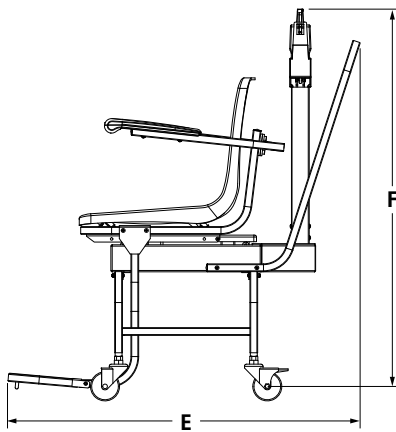
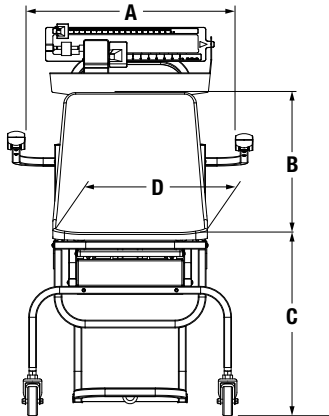
Specifications

Capacity:

Lb only beam 450 lb x 4 oz
Kg only beam 200 kg x 100 g

Warranty:

Two-year limited warranty



Standard Features

- Capacity: Lb only beam 440 lb x 4 oz; kg only beam 200 kg x 100 g
- Swing-up arms for easy access and exit
- Fold up footrest
- Sturdy enameled, steel frame
- Dual read painted beam
- Polypropylene seat with ABS armrest
- Heavy duty wheels: two back wheels lock, two front wheels swivel

Part Number/Price

Part #	Model	Capacity	Price
172098	RL-MCS-LB	450 lb x 4 oz	Consult
172099	RL-MCS-KG	200 kg x 100 g	Consult

Shipping Weight

Part #	Model #	L (in)	W (in)	H (in)	Package Wgt. (lb)	Dim Wgt. (lb)	Shipping Wgt. (lb)
172098	RL-MCS-LB	29	25	25	79	131	131
172099	RL-MCS-KG	29	25	25	79	131	131



Model RL-MCS-LB

Dimensions

	Inches	Centimeters
A	21.5	54.7
B	14.2	36
C	14.8	37.5
D	16	40.6
E	35.7	90.8
F	38.4	97.5