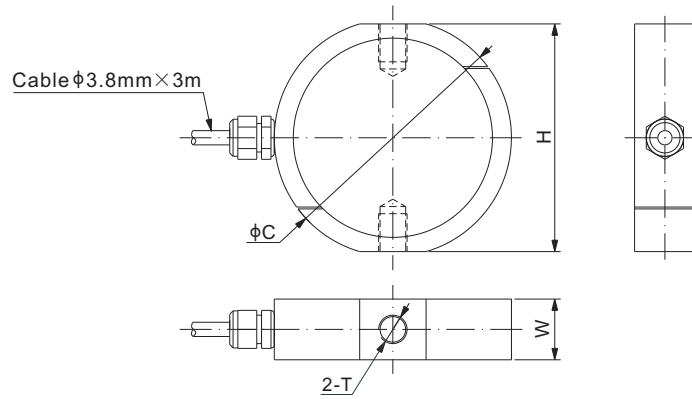


## Stainless Steel



CE RoHS

### DIMENSIONS

RATED CAPACITY	C	H	W	T
<b>N/mm</b>				
100,250,500,750	50.0	48.0	12.4	M6 Depth8
<b>lb/inches</b> (conversion of above dimensions)				
22.48,56.2,112.4,168.6	1.97	1.89	0.49	M6 Depth0.31

### SPECIFICATIONS

<b>Full Scale Output</b>	2.0 mV/V ± 1%	<b>Recommended Excitation</b>	10V (15V Maximum)
<b>Zero Balance</b>	± 0.02 mV/V	<b>Insulation Resistance</b>	>2 [ 50V DC ] GΩ
<b>Non-linearity</b>	< ± 0.050%	<b>Compensated Temperature Range</b>	-10°C to 50°C / 14°F to 122°F
<b>Repeatability</b>	< ± 0.020%	<b>Safe Overload</b>	150% of full scale
<b>Hysteresis Error</b>	< ± 0.10%	<b>Breaking Overload</b>	300% of full scale
<b>Creep in 30 min.</b>	< ± 0.10%	<b>Seal Type / IP Rating</b>	Environmentally Sealed / IP66
<b>Input Resistance</b>	400Ω ± 20	<b>Cable Color Code</b>	Exc+ Red      Exc- Black
<b>Output Resistance</b>	350Ω ± 3		Sig+ Green    Sig- White
<b>Element Material</b>	17-4PH Stainless Steel		Shield Bare

### PART NUMBER

Rated Capacity	Part No.	Weight (kg) Approx.
100N.....	101RS-100N.....	0.2
250N.....	101RS-250N.....	0.2
500N.....	101RS-500N.....	0.2
750N.....	101RS-750N.....	0.2

S-BEAMS