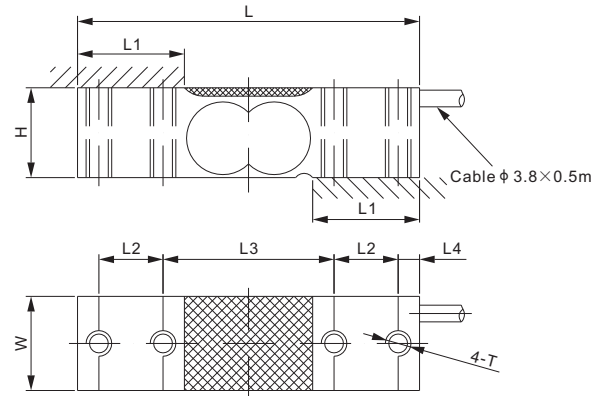


108SA

Aluminum



CE RoHS

DIMENSIONS

| RATED CAPACITY | H | L | L1 | L2 | L3 | L4 | W | T |
|---|------|------|------|------|------|------|------|----|
| kg/mm | | | | | | | | |
| 6-30 | 21.0 | 80.0 | 25.0 | 15.0 | 40.0 | 5.0 | 22.0 | M6 |
| lb/inches (conversion of above dimensions) | | | | | | | | |
| 13.23-66.14 | 0.83 | 3.15 | 0.98 | 0.59 | 1.58 | 0.20 | 0.87 | M6 |

SPECIFICATIONS

| | | | |
|--------------------------|-----------------------|-------------------------------------|---|
| Full Scale Output | 1.5 mV/V \pm 10% | Recommended Excitation | 10V (15V Maximum) |
| Zero Balance | \pm 0.02 mV/V | Reference Max. Platform Size | 250x250 mm |
| Non-linearity | $< \pm$ 0.050% | Insulation Resistance | $>$ 2 [50V DC] G Ω |
| Repeatability | $< \pm$ 0.030% | Nominal Temperature Range | -10°C to 40°C / 14°F to 104°F |
| Hysteresis Error | $< \pm$ 0.050% | Safe Overload | 150% of full scale |
| Creep in 30 min. | $< \pm$ 0.020% | Breaking Overload | 300% of full scale |
| Input Resistance | 1000 Ω \pm 3 | Seal Type / IP Rating | Environmentally Sealed / IP66 |
| Output Resistance | 1000 Ω \pm 3 | Cable Color Code | Exc+ Red Exc- Black Sig+ Green Sig- White Shield Bare |
| Element Material | Aluminum | | |

PART NUMBER

| Rated Capacity | Part No. | Weight (kg) Approx. |
|----------------|------------|---------------------|
| 6kg | 108SA-6kg | 0.1 |
| 10kg | 108SA-10kg | 0.1 |
| 15kg | 108SA-15kg | 0.1 |
| 20kg | 108SA-20kg | 0.1 |
| 30kg | 108SA-30kg | 0.1 |

SINGLE POINTS