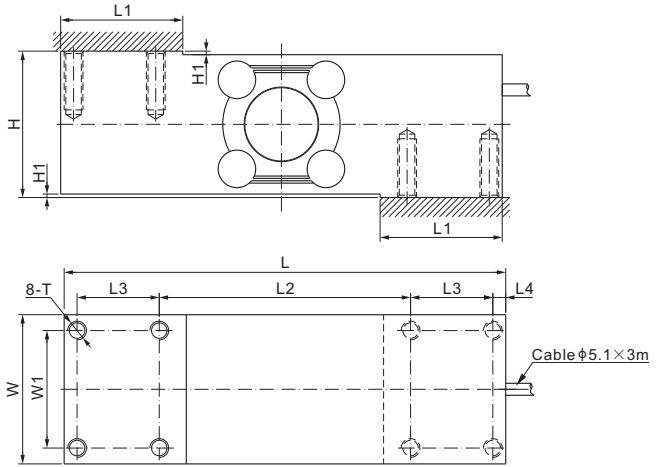


651KS55UN

Stainless Steel



DIMENSIONS

RATED CAPACITY	H	H1	L	L1	L2	L3	L4	W	W1	T
kg/mm										
200	62.3	1.5	188.0	52.0	107.0	35.0	5.5	63.5	50.0	5/16-18 UNC-2B Depth 20
lb/inches (conversion of above dimensions)										
440.92	2.45	0.06	7.40	2.04	4.21	1.38	0.22	2.50	1.97	5/16-18 UNC-2B Depth 0.79

SPECIFICATIONS

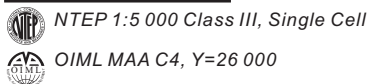
Full Scale Output	2.0 mV/V ± 0.25%	Recommended Excitation	10V (15V Maximum)
Zero Balance	± 0.02 mV/V	Reference Max. Platform Size	610×700 mm
Non-linearity	< ± 0.03%	Insulation Resistance	>2 [50V DC] GΩ
Repeatability	< ± 0.02%	Compensated Temperature Range	-10°C to 50°C / 14°F to 122°F
Hysteresis Error	< ± 0.03%	Safe Overload	150% of full scale
Creep in 30 min.	< ± 0.02%	Breaking Overload	300% of full scale
Input Resistance	1100Ω ± 50	Seal Type / IP Rating	Welded Seal / IP68
Output Resistance	960Ω ± 50	Cable Color Code	Exc+ Red Exc- Black Sig+ Green Sig- White Shield Bare
Element Material	17-4PH Stainless Steel		

PART NUMBER

Rated Capacity	Part No.	Weight (kg) Approx.
200kg.....	651KS55UN-200kg.....	4.7

AVAILABLE OPTION

■ aluminum version: 108MAUN



INTERCHANGEABLE PRODUCTS

Manufacturer	Model
Coti Global.....	CG-50-1*
HBM.....	PW16*
Rice Lake.....	RL1260*
Vishay Tedeia-Huntleigh.....	1260*

*Coti CG-50-1, HBM PW16, Rice Lake RL1260, Vishay Tedeia-Huntleigh 1260 are of aluminum.

SINGLE POINTS