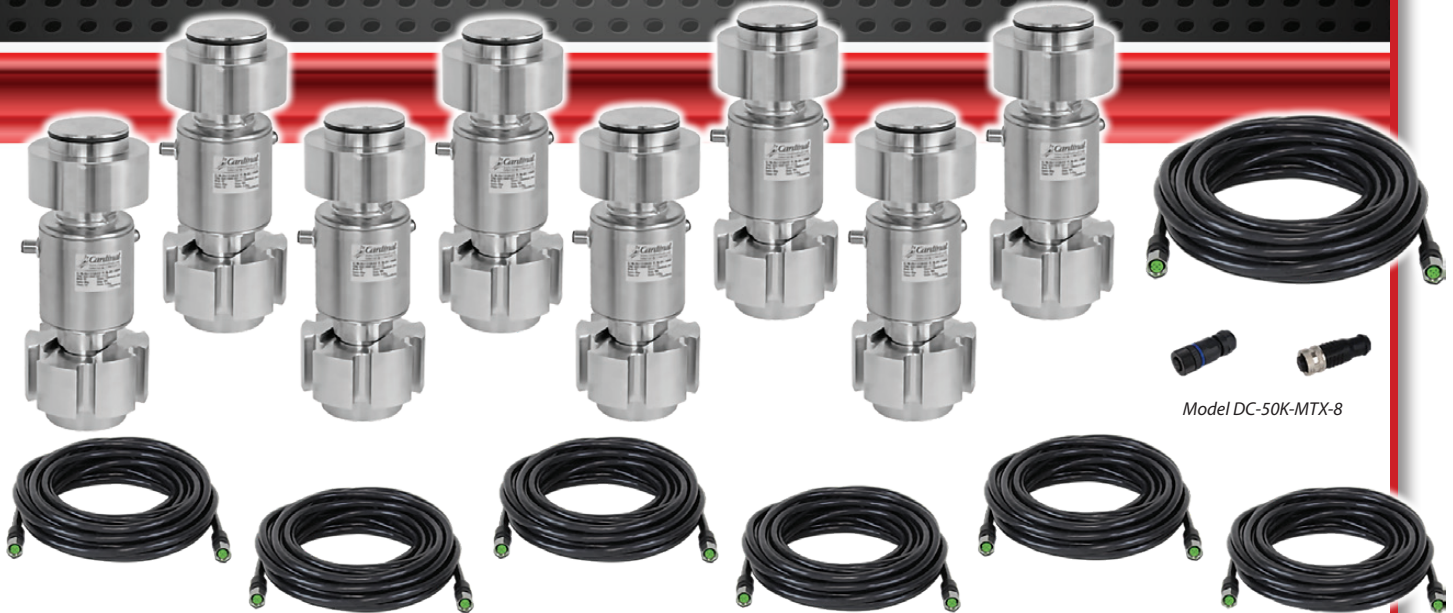




Model DC-100K-PDX-8

# Mettler Toledo™ PDX and MTX PowerCell® Retrofit Kits

# SMARTCELL® DC DIGITAL LOAD CELLS



Model DC-50K-MTX-8

**SMARTCELL**  
DIGITAL LOAD CELLS

- Conversion kits for PDX and MTX load cells
- iSite Cloud-based remote monitoring convenience
- Stainless steel IP69K load cell protection rating
- No power to the scale is necessary
- No junction box required



# SMARTCELL<sup>®</sup> DIGITAL LOAD CELLS



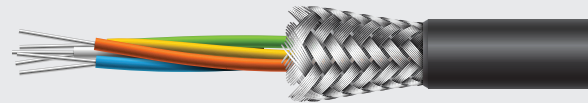
## Pure Digital Solution with DC Load Cells and iSite Remote Monitoring

- Anti-rotation system with top and bottom cups
- Interchangeable with Mettler Toledo™ PowerCell® digital load cells
- Both PDX and MTX conversion kits available (see models on back page)
- Rugged enclosure for protection from the elements
- Stainless steel, environmentally-sealed load cells for years of trouble-free service
- Heavy-duty compression load cells with self-centering column
- OIML and NTEP certified for international use
- Hermetically-welded, protection class IP69K load cells
- High-capacity vehicle weighing

**THERE IS NO JUNCTION BOX AND NO POWER AT THE SCALE NEEDED!**

## DIGITAL LOAD CELL CABLES INCLUDED

Plug-and-play digital load cell interconnect cables are included in the kits. They feature internal metal sheathing for rodent protection. The quick-connect cables form a watertight seal quickly and easily.



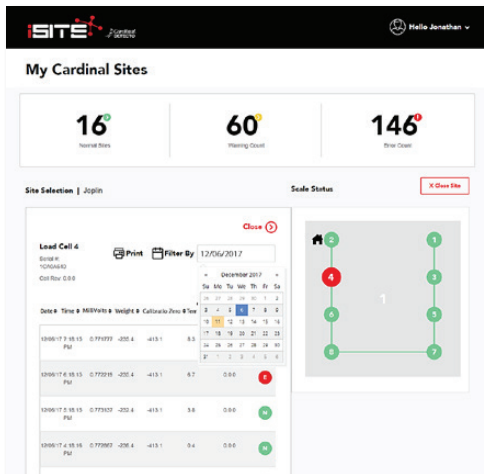
## LONG-LASTING CONSTRUCTION

The top and bottom cups are CNC machined and precipitation hardened to a minimum of 40 Rockwell C to allow the integration of DC load cells into a scale that originally used a MTX or PDX load cell. These stainless steel cups maintain the effectiveness of Cardinal Scale's anti-rotation mechanism while working with the MTX or PDX mounting arrangements.

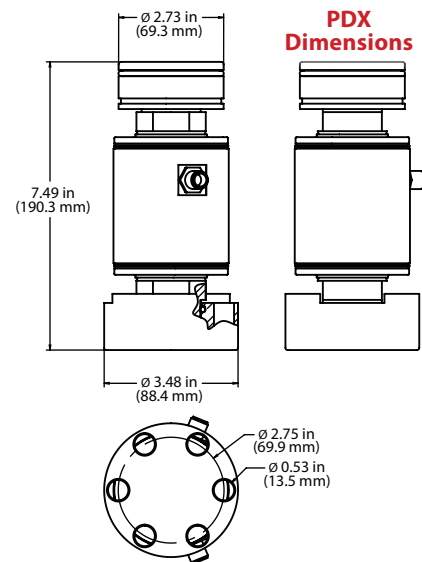
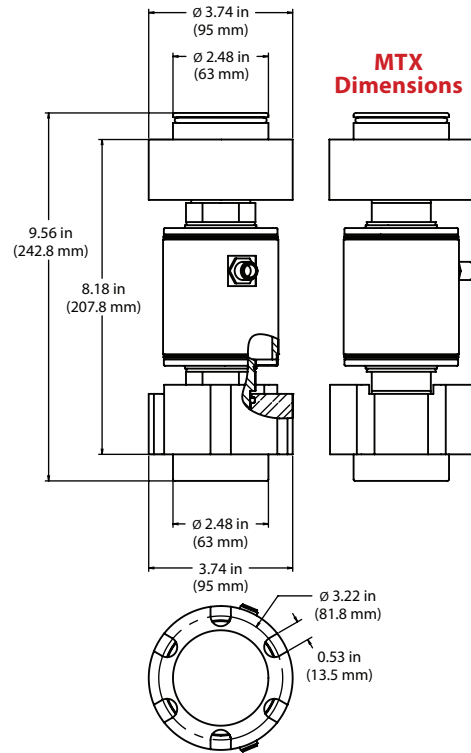


- Extra-robust upper and lower cups for optimal weighbridge support and stability
- Durable stainless steel construction that is built to last
- Machined precision and precipitation hardened

# CONVERTS EXISTING METTLER TOLEDO™ POWERCELL® SCALES TO SMARTCELL® DIGITAL LOAD CELLS WITH CLOUD-BASED ISITE MONITORING



The Cloud-based iSITE remote monitoring software comes standard with all Smartcan-enabled scales and offers e-mail and/or text alerts to authorized Cardinal Scale dealers, ensuring your scale is performing at all times during peak operations.



Cardinal Scale's 225D Navigator weight indicator provides truck ID numbers and truck tares, plus diagnostic readouts onscreen for individual load cells connected to SmartCan.



Cardinal Scale's patented software algorithm called SmartCal® allows a single technician to calibrate a scale by placing a test weight over each

## ONE STEP – CALIBRATE AND TRIM IN ONE PASS

load cell only once. You simply move the test weight over a load cell, press a key, then repeat for the remaining load cells and you've calibrated the scale.

### • W COMPLETE KIT INCLUDES:

- 4, 6, 8, 10, or 12 DC digital load cells
- 15 ft and 27 ft bundles of load cell interconnect cables
- iSite remote monitoring Cloud-based software



- Load cell end terminator
- Homerun cable terminator
- Top and bottom cups

# Mettler Toledo™ PDX and MTX PowerCell® Retrofit Kits

# SMARTCELL® DC DIGITAL LOAD CELLS



## SmartCell DC Digital Load Cells

PDX CONVERSION KITS	Load Cells	Total Load Cell Capacity	Contents Include
DC-50K-PDX-4	4	200,000 lb	4 qty. DC-50K digital load cells with PDX conversion cups (top bottom), 1 qty. 15 ft load cell interconnect cable, 2 qty. 27 ft load cell interconnect cable, 1 qty. load cell end terminator, 1 qty. homerun cable connector
DC-50K-PDX-6	6	300,000 lb	6 qty. DC-50K digital load cells with PDX conversion cups (top bottom), 1 qty. 15 ft load cell interconnect cable, 4 qty. 27 ft load cell interconnect cable, 1 qty. load cell end terminator, 1 qty. homerun cable connector
DC-50K-PDX-8	8	400,000 lb	8 qty. DC-50K digital load cells with PDX conversion cups (top bottom), 1 qty. 15 ft load cell interconnect cable, 6 qty. 27 ft load cell interconnect cable, 1 qty. load cell end terminator, 1 qty. homerun cable connector
DC-50K-PDX-10	10	500,000 lb	10 qty. DC-50K digital load cells with PDX conversion cups (top bottom), 1 qty. 15 ft load cell interconnect cable, 8 qty. 27 ft load cell interconnect cable, 1 qty. load cell end terminator, 1 qty. homerun cable connector
DC-50K-PDX-12	12	600,000 lb	12 qty. DC-50K digital load cells with PDX conversion cups (top bottom), 1 qty. 15 ft load cell interconnect cable, 10 qty. 27 ft load cell interconnect cable, 1 qty. load cell end terminator, 1 qty. homerun cable connector
DC-100K-PDX-4	4	400,000 lb	4 qty. DC-100K digital load cells with PDX conversion cups (top bottom), 1 qty. 15 ft load cell interconnect cable, 2 qty. 27 ft load cell interconnect cable, 1 qty. load cell end terminator, 1 qty. homerun cable connector
DC-100K-PDX-6	6	600,000 lb	6 qty. DC-100K digital load cells with PDX conversion cups (top bottom), 1 qty. 15 ft load cell interconnect cable, 4 qty. 27 ft load cell interconnect cable, 1 qty. load cell end terminator, 1 qty. homerun cable connector
DC-100K-PDX-8	8	800,000 lb	8 qty. DC-100K digital load cells with PDX conversion cups (top bottom), 1 qty. 15 ft load cell interconnect cable, 6 qty. 27 ft load cell interconnect cable, 1 qty. load cell end terminator, 1 qty. homerun cable connector
DC-100K-PDX-10	10	1,000,000 lb	10 qty. DC-100K digital load cells with PDX conversion cups (top bottom), 1 qty. 15 ft load cell interconnect cable, 8 qty. 27 ft load cell interconnect cable, 1 qty. load cell end terminator, 1 qty. homerun cable connector
DC-100K-PDX-12	12	1,200,000 lb	12 qty. DC-100K digital load cells with PDX conversion cups (top bottom), 1 qty. 15 ft load cell interconnect cable, 10 qty. 27 ft load cell interconnect cable, 1 qty. load cell end terminator, 1 qty. homerun cable connector

MTX CONVERSION KITS	Load Cells	Total Load Cell Capacity	Contents Include
DC-50K-MTX-4	4	200,000 lb	4 qty. DC-50K digital load cells with MTX conversion cups (top bottom), 1 qty. 15 ft load cell interconnect cable, 2 qty. 27 ft load cell interconnect cable, 1 qty. load cell end terminator, 1 qty. homerun cable connector
DC-50K-MTX-6	6	300,000 lb	6 qty. DC-50K digital load cells with MTX conversion cups (top bottom), 1 qty. 15 ft load cell interconnect cable, 4 qty. 27 ft load cell interconnect cable, 1 qty. load cell end terminator, 1 qty. homerun cable connector
DC-50K-MTX-8	8	400,000 lb	8 qty. DC-50K digital load cells with MTX conversion cups (top bottom), 1 qty. 15 ft load cell interconnect cable, 6 qty. 27 ft load cell interconnect cable, 1 qty. load cell end terminator, 1 qty. homerun cable connector
DC-50K-MTX-10	10	500,000 lb	10 qty. DC-50K digital load cells with MTX conversion cups (top bottom), 1 qty. 15 ft load cell interconnect cable, 8 qty. 27 ft load cell interconnect cable, 1 qty. load cell end terminator, 1 qty. homerun cable connector
DC-50K-MTX-12	12	600,000 lb	12 qty. DC-50K digital load cells with MTX conversion cups (top bottom), 1 qty. 15 ft load cell interconnect cable, 10 qty. 27 ft load cell interconnect cable, 1 qty. load cell end terminator, 1 qty. homerun cable connector
DC-100K-MTX-4	4	400,000 lb	4 qty. DC-100K digital load cells with MTX conversion cups (top bottom), 1 qty. 15 ft load cell interconnect cable, 2 qty. 27 ft load cell interconnect cable, 1 qty. load cell end terminator, 1 qty. homerun cable connector
DC-100K-MTX-6	6	600,000 lb	6 qty. DC-100K digital load cells with MTX conversion cups (top bottom), 1 qty. 15 ft load cell interconnect cable, 4 qty. 27 ft load cell interconnect cable, 1 qty. load cell end terminator, 1 qty. homerun cable connector
DC-100K-MTX-8	8	800,000 lb	8 qty. DC-100K digital load cells with MTX conversion cups (top bottom), 1 qty. 15 ft load cell interconnect cable, 6 qty. 27 ft load cell interconnect cable, 1 qty. load cell end terminator, 1 qty. homerun cable connector
DC-100K-MTX-10	10	1,000,000 lb	10 qty. DC-100K digital load cells with MTX conversion cups (top bottom), 1 qty. 15 ft load cell interconnect cable, 8 qty. 27 ft load cell interconnect cable, 1 qty. load cell end terminator, 1 qty. homerun cable connector
DC-100K-MTX-12	12	1,200,000 lb	12 qty. DC-100K digital load cells with MTX conversion cups (top bottom), 1 qty. 15 ft load cell interconnect cable, 10 qty. 27 ft load cell interconnect cable, 1 qty. load cell end terminator, 1 qty. homerun cable connector

Cardinal Scale reserves the right to improve, enhance, or modify features and specifications without prior notice.

**SOLD BY:**

**Cardinal**  
Cardinal Scale Manufacturing Co.  
102 E. Daugberty, Webb City, MO 64870 USA  
Ph: 417-673-4631 or 800-441-4237 • Fax: 417-673-2153  
[www.CardinalScale.com](http://www.CardinalScale.com)