



Model AC-100K-PDX-8

Mettler Toledo™ PDX and MTX PowerCell® Retrofit Kits

AC LOAD CELLS

WITH

SMARTCAN

DIGITAL CONVERSION SYSTEM



Model AC-50K-MTX-8



- Conversion kits for PDX and MTX load cells
- Anti-rotation system with top and bottom cups
- Stainless steel IP69K load cell protection rating
- iSite Cloud-based remote monitoring

ANALOG LOAD CELLS WITH **SMARTCAN** DIGITAL CONVERSION SYSTEM



Digital Solution with AC Load Cells and iSite Remote Monitoring

- Interchangeable with Mettler Toledo™ PowerCell® digital load cells
- Both PDX and MTX conversion kits available (see models on back page)
- Stainless steel, environmentally-sealed load cells for years of trouble-free service
- High-capacity vehicle weighing
- Heavy-duty compression load cells with self-centering column
- OIML and NTEP certified for international use
- Hermetically-welded, protection class IP69K load cells
- Rugged enclosure for protection from the elements
- Heavy-duty cables to eliminate electromagnetic interference (50 ft / 15.2 m cable per load cell)

ANTI-ROTATION COMPRESSION LOAD CELLS FOR HIGH-CAPACITY WEIGHING

- Extra-robust upper and lower cups for optimal weighbridge support and stability
- Durable stainless steel construction that is built to last
- Machined precision and precipitation hardened

LONG-LASTING CONSTRUCTION

The top and bottom cups are CNC machined and precipitation hardened to a minimum of 40 Rockwell C to allow the integration of AC load cells into a scale that originally used a

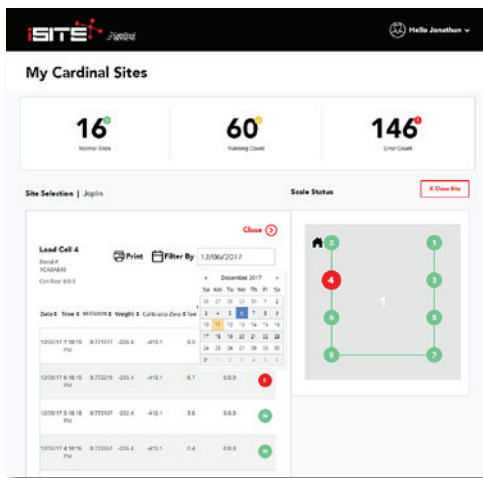
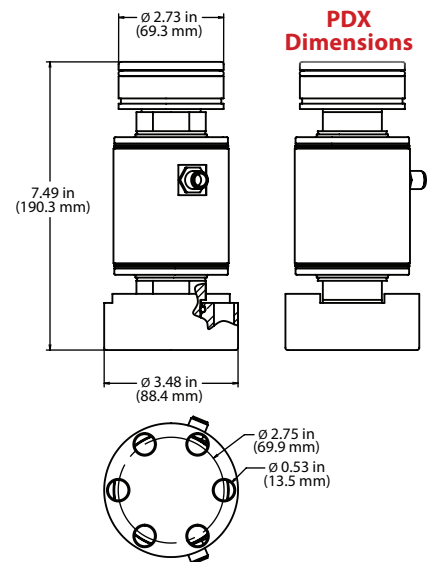
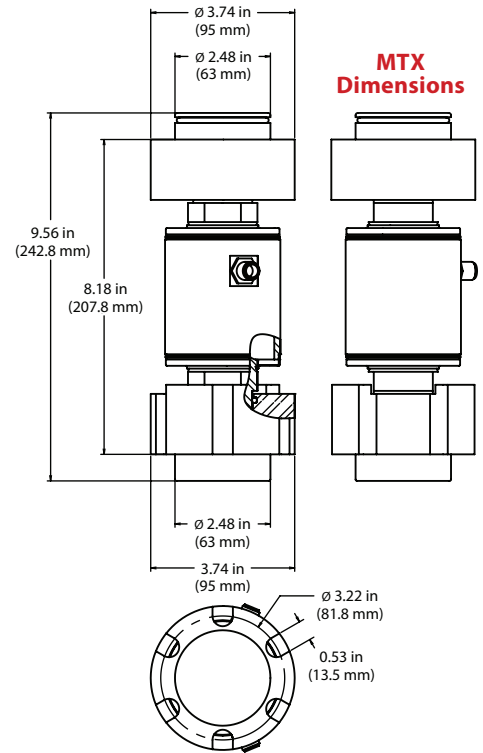
MTX or PDX load cell. These stainless steel cups maintain the effectiveness of Cardinal Scale's anti-rotation mechanism while working with the MTX or PDX mounting arrangements.



CONVERTS EXISTING METTLER TOLEDO™ POWERCELL® SCALES TO A SMARTCAN-CONTROLLED DIGITALLY-CONVERTED SYSTEM



Cardinal Scale's SmartCan analog-to-digital conversion system converts AC load cells to digital in order to provide superior diagnostics and remote monitoring. SmartCan enables usage of SmartCal and digital calibration adjustments.



The Cloud-based iSite remote monitoring software comes standard with all Smartcan-enabled scales and offers e-mail and/or text alerts to authorized Cardinal Scale dealers, ensuring your scale is performing at all times during peak operations.



225 NAVIGATOR

Cardinal Scale's 225D Navigator weight indicator provides truck ID numbers and truck tares, plus diagnostic readouts onscreen for individual load cells connected to SmartCan.

COMPLETE KIT INCLUDES:



- One SmartCan digital conversion box
- 50 ft (15.2 meters) of load cell cable included with each load cell
- iSite remote monitoring Cloud-based software
- Top and bottom cups
- 4, 6, 8, 10, or 12 AC analog load cells

Mettler Toledo™ PDX and MTX PowerCell® Retrofit Kits

AC LOAD CELLS

WITH

SMARTCAN

DIGITAL CONVERSION SYSTEM

AC Analog Load Cells with SmartCan Digital Conversion Box

PDX Conversion Kits	Load Cells	Total Load Cell Capacity	Contents Include
AC-50K-PDX-4	4	200,000 lb	4 qty. AC-50K analog load cells with PDX conversion cups (top and bottom), 1 qty. SMARTCAN digital conversion box
AC-50K-PDX-6	6	300,000 lb	6 qty. AC-50K analog load cells with PDX conversion cups (top and bottom), 1 qty. SMARTCAN digital conversion box
AC-50K-PDX-8	8	400,000 lb	8 qty. AC-50K analog load cells with PDX conversion cups (top and bottom), 1 qty. SMARTCAN digital conversion box
AC-50K-PDX-10	10	500,000 lb	10 qty. AC-50K analog load cells with PDX conversion cups (top and bottom), 1 qty. SMARTCAN digital conversion box
AC-50K-PDX-12	12	600,000 lb	12 qty. AC-50K analog load cells with PDX conversion cups (top and bottom), 1 qty. SMARTCAN digital conversion box
AC-100K-PDX-4	4	400,000 lb	4 qty. AC-100K analog load cells with PDX conversion cups (top and bottom), 1 qty. SMARTCAN digital conversion box
AC-100K-PDX-6	6	600,000 lb	6 qty. AC-100K analog load cells with PDX conversion cups (top and bottom), 1 qty. SMARTCAN digital conversion box
AC-100K-PDX-8	8	800,000 lb	8 qty. AC-100K analog load cells with PDX conversion cups (top and bottom), 1 qty. SMARTCAN digital conversion box
AC-100K-PDX-10	10	1,000,000 lb	10 qty. AC-100K analog load cells with PDX conversion cups (top and bottom), 1 qty. SMARTCAN digital conversion box
AC-100K-PDX-12	12	1,200,000 lb	12 qty. AC-100K analog load cells with PDX conversion cups (top and bottom), 1 qty. SMARTCAN digital conversion box

MTX Conversion Kits	Load Cells	Total Load Cell Capacity	Contents Include
AC-50K-MTX-4	4	200,000 lb	4 qty. AC-50K analog load cells with MTX conversion cups (top and bottom), 1 qty. SMARTCAN digital conversion box
AC-50K-MTX-6	6	300,000 lb	6 qty. AC-50K analog load cells with MTX conversion cups (top and bottom), 1 qty. SMARTCAN digital conversion box
AC-50K-MTX-8	8	400,000 lb	8 qty. AC-50K analog load cells with MTX conversion cups (top and bottom), 1 qty. SMARTCAN digital conversion box
AC-50K-MTX-10	10	500,000 lb	10 qty. AC-50K analog load cells with MTX conversion cups (top and bottom), 1 qty. SMARTCAN digital conversion box
AC-50K-MTX-12	12	600,000 lb	12 qty. AC-50K analog load cells with MTX conversion cups (top and bottom), 1 qty. SMARTCAN digital conversion box
AC-100K-MTX-4	4	400,000 lb	4 qty. AC-100K analog load cells with MTX conversion cups (top and bottom), 1 qty. SMARTCAN digital conversion box
AC-100K-MTX-6	6	600,000 lb	6 qty. AC-100K analog load cells with MTX conversion cups (top and bottom), 1 qty. SMARTCAN digital conversion box
AC-100K-MTX-8	8	800,000 lb	8 qty. AC-100K analog load cells with MTX conversion cups (top and bottom), 1 qty. SMARTCAN digital conversion box
AC-100K-MTX-10	10	1,000,000 lb	10 qty. AC-100K analog load cells with MTX conversion cups (top and bottom), 1 qty. SMARTCAN digital conversion box
AC-100K-MTX-12	12	1,200,000 lb	12 qty. AC-100K analog load cells with MTX conversion cups (top and bottom), 1 qty. SMARTCAN digital conversion box



Cardinal Scale reserves the right to improve, enhance, or modify features and specifications without prior notice.

SOLD BY:

 **Cardinal**[®]
 Cardinal Scale Manufacturing Co.
 102 E. Daugberty, Webb City, MO 64870 USA
 Ph: 417-673-4631 or 800-441-4237 • Fax: 417-673-2153
www.CardinalScale.com