

STADIOMETERS

DETECTO 3P WALL-MOUNT HEIGHT RODS

Easy To Install
Easy To Operate

America's name brand in medical weighing brings you stadiometers, featuring the same high-quality product tradition as our world-renowned medical scales.

Installation is as simple as a few twists with the provided wrench and Detecto's 3P Wall-Mount Height Rod is ready for use. Black with white lettering, this easy-to-read height rod measures from 30" to 78" (76 cm to 200 cm).

Merely lift the spoon, request for the patient to step up to be measured, then read their height. It's that simple.

Measuring Range: 30" to 78" (76 cm to 200 cm)
Graduations: 1/4" (1/2 cm)
Dimensions: 1/2" Wide x 43" High
12 mm Wide x 109 cm High



Model 3PHTROD-WM

DETECTO STADIOMETERS

Read Height In Inches Or Centimeters Within Seconds



From its durable steel construction with black powder-coat paint finish to its simplicity of design and ease of use, Detecto's stadiometers have long been the choice for medical height measurement. Everything needed for operation is included with the stadiometer and installation takes seconds with the included hardware.

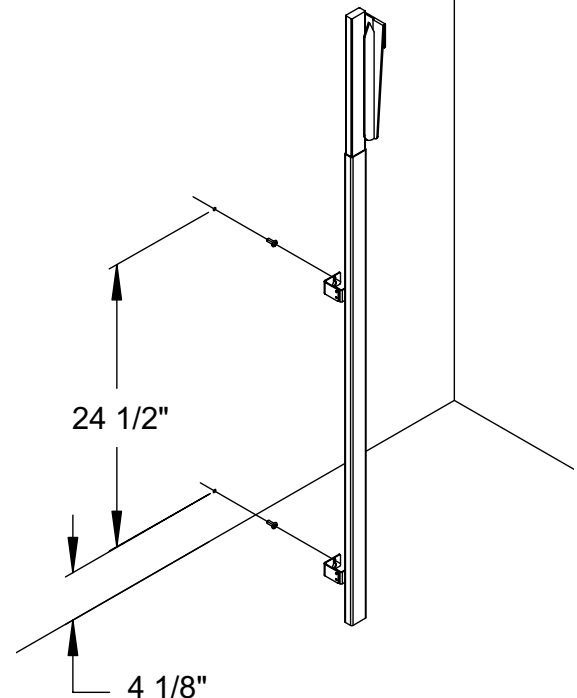


Included hardware



OPERATION

1. Before the person steps up to the height rod to be measured, the spoon should be rotated to the horizontal position, and raised well above the person's apparent height.
2. The person may now step up the height rod. The spoon should be held horizontal and above the person's head.
3. Carefully lower the spoon, while keeping it horizontal, until it rests gently upon the top of the person's head. If the person is shorter than 3' 4" (101.5cm), push the latch to the right, while simultaneously pushing down on the spoon, until the spoon rests horizontally upon the top of the person's head.
4. Read the height of the person as follows: If the back of the spoon points to the outer height rod, then it points to the correct height. If the back of the spoon points to the inner height rod, then the correct height is read at the top of the outer height rod.
5. While holding the spoon horizontal, raise the spoon above the person's head. The person may now step away from the height rod. Hold the spoon horizontal until the person is clear of the height rod.
6. Rotate the spoon back to the vertical position and adjust the height rod back to the rest position (i.e. the spoon should be locked in place within the inner height rod and the inner rod should be at its lowest position).



Detecto Scale reserves the right to improve, enhance, or modify features and specifications without prior notice.

**DETECTO**[®]
A Division of Cardinal Scale Manufacturing Co.
203 E. Daugherty, Webb City, MO 64870 USA
Ph: 417-673-4631 or 1-800-641-2008 Fax: 417-673-5001
www.Detecto.com

Sold By:

