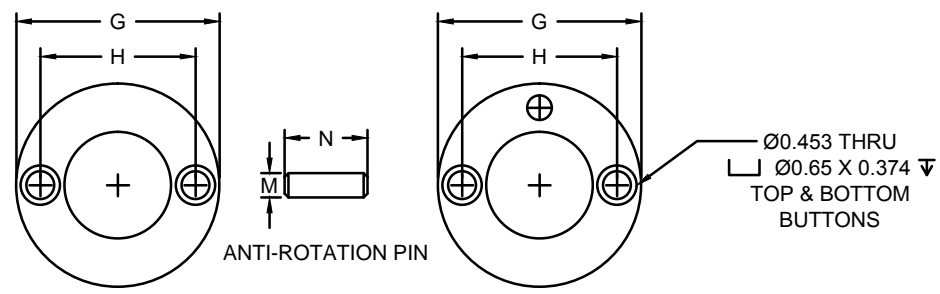
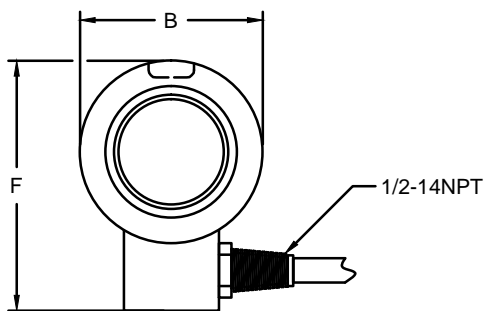
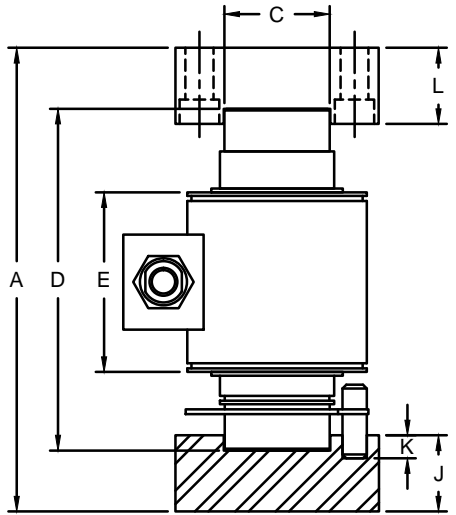


REVISIONS							
ZONE	LTR.	DESCRIPTION	DATE	ECN	BY	CKD	APVD
-	D	REDRAWN FOR CATALOG ADDED DIM "N"	04/23/15	2015-24	RLU	JSP	AA



TOP LOAD BUTTON

BOTTOM LOAD BUTTON



TOP VIEW

**PERFORMANCE SPECIFICATIONS:**

1. CAPACITIES: 15t, 20t, 25t, 30t, 40t, 50t, 60t. (METRIC TON)
2. RATED OUTPUT: 2.00 mV/V ±0.25%.
3. SAFE OVERLOAD: 150% FS.
4. EXCITATION VOLTAGE: 10V AC/DC (15V MAX)
5. INPUT RESISTANCE: 700 ±10Ω.
6. OUTPUT RESISTANCE: 700 ±5Ω.
7. ZERO BALANCE: ±1.00% FS.
8. SEAL TYPE: HERMETICALLY SEALED IP67.
9. NON-LINEARITY: ±0.03% FS.
10. HYSTERESIS: ±0.02% FS.
11. REPEATABILITY: ±0.01% FS.
12. CREEP: ±0.02% FS (IN 30 MINUTES).
13. NTEP RATED.
14. CLASS III, 10,000 DIVISION, MULTIPLE CELL.
15. COMPENSATED TEMPERATURE RANGE: 0°C - 30°C.
16. TEMPERATURE EFFECT ON ZERO: ±0.0027% FS/°C.
17. TEMPERATURE EFFECT ON OUTPUT: ±0.0015% FS/°C.
18. INSULATION RESISTANCE: 5000 MEGOHMS.
19. LOAD CELL CABLE: 4-22AWG, Ø6.8MM, BRAIDED, 50FT.
20. LOAD CELL WIRING:
  - GRN (+EXC)
  - BLK (-EXC)
  - WHT (+SIG)
  - RED (-SIG)
  - BRAID/YELLOW: SHIELD
21. FM APPROVED.

RATED CAPACITY	DIMENSIONS												
	A	B	C	D	E	F	G	H	J	K	L	M	N
15t - 40t	7.87	3.00	1.73	5.91	3.23	4.00	3.35	2.52	1.25	0.28	1.25	0.39	1.50
50t - 60t	10.25	3.00	1.73	8.27	3.23	4.00	3.35	2.52	1.25	0.28	1.25	0.39	1.50

DO NOT ALTER WITHOUT AGENCY NOTIFICATION

COTI GLOBAL SENSORS, INC.

CG - 26S4 COMPRESSION CANISTER NTEP LOAD CELL

APPROVALS		DATE
DRAWN:	RLU	04/23/15
CHECKED:	AA	04/23/15
ENGINEER:	JSP	04/23/15
APPROVED:	AA	04/23/15
MATERIAL:	STAINLESS STEEL	
FINISH:	PASSIVATED	

SCALE	SIZE	PART/DRAWING NO.	REV.
NONE	B	DOD-CG-26S4	D

THIS DOCUMENT CONTAINS PROPRIETARY INFORMATION AND SUCH INFORMATION MAY NOT BE REPRODUCED OR DISCLOSED FOR ANY PURPOSE OR USED TO PRODUCE THE ARTICLE OR SUBJECT WITHOUT WRITTEN PERMISSION FROM COTI GLOBAL SENSORS, INC.

TOLERANCES UNLESS OTHERWISE SPECIFIED  
 XX = ±0.02"  
 XXX = ±0.005"  
 XXXX = ±0.0025"  
 FRACTIONS: ±1/16"  
 ANGLES DEG: ±1/8"