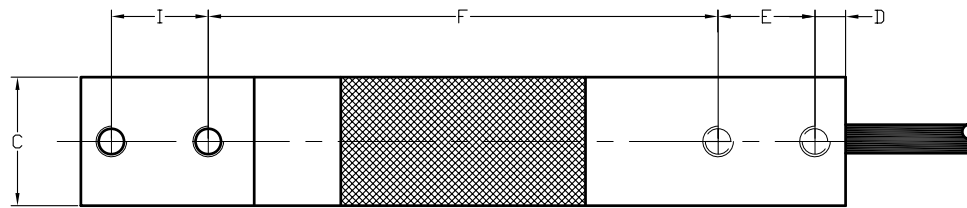
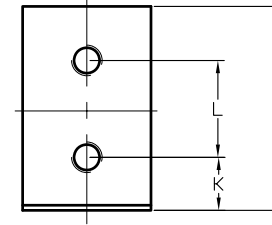
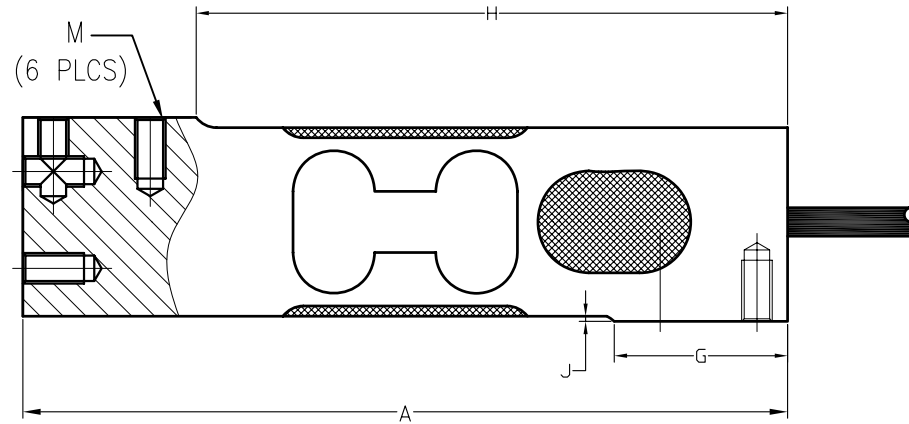


ZONE	LTR.	DESCRIPTION	DATE	ECN	BY	CKD	APVD
—	A	REDRAWN FOR CATALOG; ADDED DIM. H; CHANGED THE LOCATION OF DIM D.	04/30/15	2015-27	RLU	JSP	AA
	B	Updated to Add New Capacity's 15kg, 150kg.	9/5/2017	2017-14	AB	AT	AA



PERFORMANCE SPECIFICATIONS:

1. RATED CAPACITY: 10kg, 15kg, 20kg, 30kg, 50kg, 75kg, 100kg, 150kg
2. RATED OUTPUT: 2.0±10%
3. SAFE OVERLOAD: 150%FS
4. EXCITATION VOLTAGE: 10-20V AC/DC
5. INPUT RESISTANCE: 385 ± 10 $\Omega$
6. OUTPUT RESISTANCE: 350 ± 3 $\Omega$
7. ZERO BALANCE: ±1.0%FS
8. SEAL TYPE: ENVIRONMENTALLY SEALED
9. NON-LINEARITY: ±0.03%FS
10. HYSTERESIS: ± 0.02%FS
11. REPEATABILITY: ± 0.02%FS
12. CREEP: ±0.03%FS IN 30 MINUTES
13. COMPENSATED TEMPERATURE RANGE: -10°C...+40°C
14. TEMPERATURE EFFECT ON ZERO: ±0.002%FS/°C
15. TEMPERATURE EFFECT ON OUTPUT: ±0.001%FS/°C
16. INSULATION RESISTANCE: >5000 MEGOHMS AT 50VDC
17. LOAD CELL CABLE: 4-24AWG, 5.6mm OD, 10FT.
18. LOAD CELL WIRING:  
GREEN: +EX  
BLACK: -EX  
RED: +SIG  
WHITE: -SIG  
YELLOW: SHIELD
19. MAX. PLATFORM SIZE: 400x400 mm

RATED CAPACITY	DIMENSIONS												
	A	B	C	D	E	F	G	H	I	J	K	L	M
<10-30>KG	5.91	1.575	0.787	0.235	0.75	3.937	1.339	4.57	0.75	0.04	0.37	0.75	1/4-20UNCx0.5 $\nabla$
<50-150>KG	5.91	1.575	0.992	0.235	0.75	3.937	1.339	4.57	0.75	0.04	0.37	0.75	1/4-20UNCx0.5 $\nabla$

DO NOT ALTER WITHOUT AGENCY APPROVAL

PROPRIETARY AND CONFIDENTIAL  
THE INFORMATION CONTAINED IN THIS  
DRAWING IS THE SOLE PROPERTY OF  
COTI GLOBAL SENSORS, INC. ANY  
REPRODUCTION IN PART OR AS A WHOLE  
WITHOUT THE WRITTEN PERMISSION OF  
COTI GLOBAL SENSORS, INC IS PROHIBITED.

UNLESS OTHERWISE SPECIFIED:		NAME		DATE		COTI Global Sensors, Inc. TITLE: Outline Dimensions DOD-CG-42-SS	
DIMENSIONS ARE IN [mm] TOLERANCE APPLIES IN in.		DRAWN	Long	01/08/15			
[mm] REF ONLY XX±.010 XXX±.005 ANGULAR: 1°		CHECKED	Andy	01/08/15			
INTERPRET GEOMETRIC TOLERANCING PER: ANSI 14.5Y		ENG APPR.	AA	01/08/15			
MATERIAL STAINLESS STEEL		MFG APPR.					
FINISH PASSIVATED		COMMENTS:		Q.A.		SIZE DWG NO. REV B DOD-CG-42-SS B	
NEXT ASSY USED ON		APPLICATION		DO NOT SCALE DRAWING		SCALE: 1:1 WEIGHT: SHEET 1 OF 1	