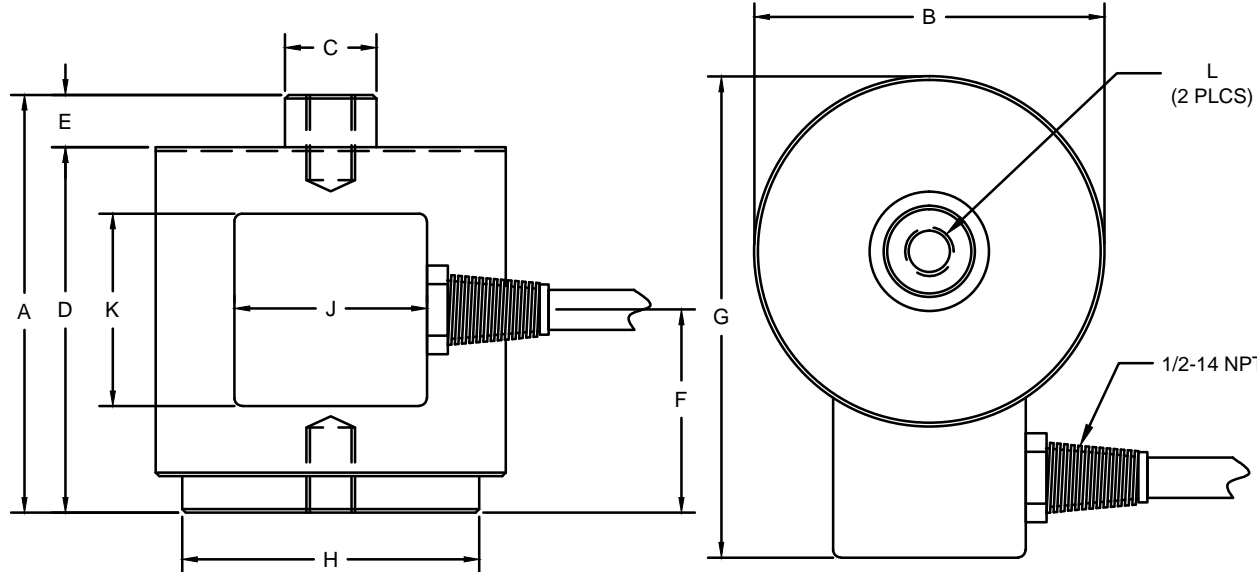


REVISIONS							
ZONE	LTR.	DESCRIPTION	DATE	ECN	BY	CKD	APVD
-	C	REDRAWN FOR CATALOG. UPDATED TOLERANCE BLOCK	04/07/15	2015-12	RLU	JSP	AA
-	D	REDRAWN FOR LABELING CONSISTENCY	01/13/16	2016-12	TB	AB	AA



- PERFORMANCE SPECIFICATIONS:**
1. CAPACITIES: 200, 300, 500, 750, 1K, 2K, 3K (LB).
  2. RATED OUTPUT: 3.00 mV/V  $\pm 0.25\%$ .
  3. SAFE OVERLOAD: 150% FS.
  4. EXCITATION VOLTAGE: 10V AC/DC (15V MAX).
  5. INPUT RESISTANCE: 380  $\pm 10\Omega$ .
  6. OUTPUT RESISTANCE: 350  $\pm 5\Omega$ .
  7. ZERO BALANCE:  $\pm 1.00\%$  FS.
  8. SEAL TYPE: HERMETICALLY SEALED IP67.
  9. NON-LINEARITY:  $\pm 0.05\%$  FS.
  10. HYSTERESIS:  $\pm 0.03\%$  FS.
  11. REPEATABILITY:  $\pm 0.01\%$  FS.
  12. CREEP:  $\pm 0.03\%$  FS IN 30 MINUTES.
  13. COMPENSATED TEMPERATURE RANGE:  $-10^{\circ}\text{C}$  TO  $+40^{\circ}\text{C}$ .
  14. TEMPERATURE EFFECT ON ZERO:  $\pm 0.0027\%$  FS/ $^{\circ}\text{C}$ .
  15. TEMPERATURE EFFECT ON OUTPUT:  $\pm 0.0015\%$  FS/ $^{\circ}\text{C}$ .
  16. INSULATION RESISTANCE: 5000 MEGOHMS.
  17. LOAD CELL CABLE: 4-24AWG,  $\varnothing 5.6\text{MM}$ , PVC, 50FT.
  18. LOAD CELL WIRING:
 

GRN (+EXC)	GRN (+EXC)
BLK (-EXC)	BLK (-EXC)
WHT (+SIG)	RED (+SIG)
RED (-SIG)	WHT (-SIG)
YELLOW: SHIELD	YELLOW: SHIELD
COMPRESSION + SIGNAL.	TENSION + SIGNAL
  19. FM APPROVED.

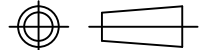
TOP VIEW

RATED CAPACITY	DIMENSIONS										
	A	B	C	D	E	F	G	H	J	K	L
200LB - 300LB	3.38	2.75	0.75	2.56	0.61	1.62	3.96	2.44	1.96	1.57	3/8-24UNFx0.38 DEEP
500LB - 1K	4.56	3.50	0.75	4.15	0.45	2.19	4.47	2.99	1.96	1.57	1/2-20UNFx0.50 DEEP
2K - 3K	5.00	4.00	0.75	4.59	0.41	2.40	5.02	3.43	1.96	1.57	1/2-20UNFx0.50 DEEP

DO NOT ALTER WITHOUT AGENCY NOTIFICATION

COTI GLOBAL SENSORS, INC.

CG-63 UNIVERSAL CANISTER LOAD CELL

 THIS DRAWING USES THIRD ANGLE PROJECTION  THIS DOCUMENT CONTAINS PROPRIETARY INFORMATION AND SUCH INFORMATION MAY NOT BE REPRODUCED OR DISCLOSED FOR ANY PURPOSE OR USED TO PRODUCE THE ARTICLE OR SUBJECT WITHOUT WRITTEN PERMISSION FROM COTI GLOBAL SENSORS, INC.	APPROVALS		DATE	SCALE SIZE PART/DRAWING NO. REV. NONE B DOD-CG-63 D
	DRAWN: RLU		04/08/15	
	CHECKED: AA		04/08/15	
	ENGINEER: JSP		04/08/15	
	APPROVED: AA		04/08/15	
MATERIAL: STAINLESS STEEL	FINISH: PASSIVATED		MODEL CG-63	SHEET 1 OF 1