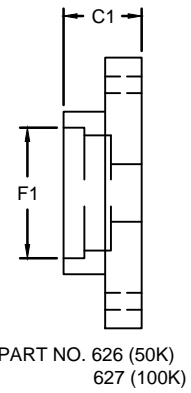
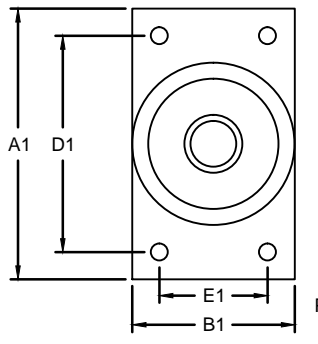
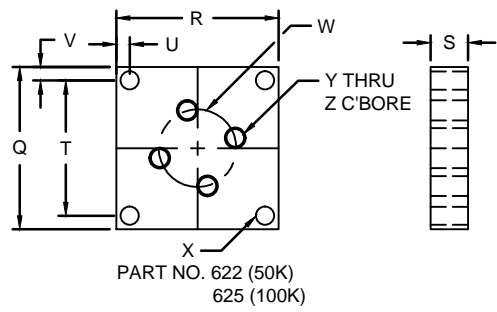
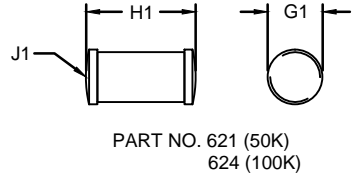
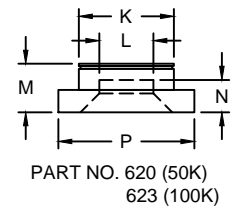
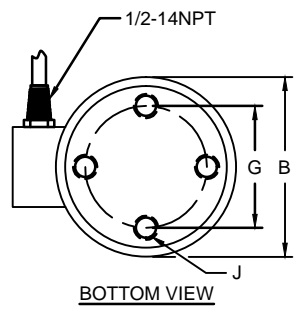
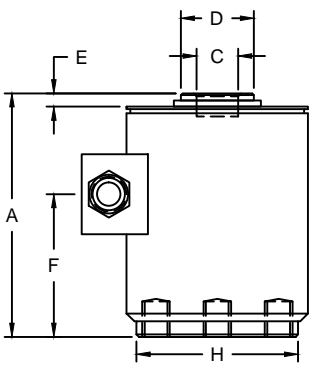


REVISIONS									
ZONE	LTR.	DESCRIPTION	DATE	ECR	BY	CKD	APVD		
-	C	REDRAWN FOR LABELING CONSISTENCY	05/07/15	2015-30	RLU	JSP	AA		
-	D	Updated Dimensions M,N,C1	7/27/2017	2017-07	AB	AT	AA		

**PERFORMANCE SPECIFICATIONS:**

- CAPACITIES: 50K, 100K, (LB).
- RATED OUTPUT: 2.00 mV/V ±0.25%.
- SAFE OVERLOAD: 150% FS.
- EXCITATION VOLTAGE: 10V AC/DC (15V MAX).
- INPUT RESISTANCE: 820 ±10Ω.
- OUTPUT RESISTANCE: 775 ±5Ω.
- ZERO BALANCE: ±1.00% FS.
- SEAL TYPE: HERMETICALLY SEALED IP67.
- NON-LINEARITY: ±0.05% FS.
- HYSTERESIS: ±0.03% FS.
- REPEATABILITY: ±0.01% FS.
- CREEP: ±0.03% FS IN 30 MINUTES.
- COMPENSATED TEMPERATURE RANGE: -10°C TO +40°C.
- TEMPERATURE EFFECT ON ZERO: ±0.0027% FS/°C.
- TEMPERATURE EFFECT ON OUTPUT: ±0.0015% FS/°C.
- INSULATION RESISTANCE: 5000 MEGOHMS.
- LOAD CELL CABLE: 6-24AWG, Ø6.0MM, PVC, 50FT.
- LOAD CELL WIRING:
  - WHT (+EXC)
  - BLU (-EXC)
  - GRN (+SIG)
  - BLK (-SIG)
  - YELLOW (+SENSE)
  - RED (-SENSE)
  - BRAIDED/BARE: SHIELD

19. FM APPROVED.



ACCESSORIES	DIMENSIONS																								
	K	L	M	N	P	Q	R	S	T	U	V	W	X	Y	Z	A1	B1	C1	D1	E1	F1	G1	H1	J1	
620-50K CAP	2.47	1.02	1.25	0.80	3.75	-	-	-	-	-	-	-	-	-	-	-	-	-	-	-	-	-	-	-	
621-50K PIN	-	-	-	-	-	-	-	-	-	-	-	-	-	-	-	-	-	-	-	-	-	-	0.98	1.81	12.00
622-50K BASE	-	-	-	-	-	6.00	6.00	2.00	4.00	1.00	1.00	3.00	0.70	0.70	1.20x0.75▼	-	-	-	-	-	-	-	-	-	
623-100K CAP	2.70	1.50	1.50	0.63	3.75	-	-	-	-	-	-	-	-	-	-	-	-	-	-	-	-	-	-	-	
624-100K PIN	-	-	-	-	-	-	-	-	-	-	-	-	-	-	-	-	-	-	-	-	-	-	1.45	2.75	15.75
625-100K BASE	-	-	-	-	-	8.00	8.00	2.00	6.00	1.00	1.00	4.00	0.82	0.82	1.25x1.00▼	-	-	-	-	-	-	-	-	-	
626-50K UPPER CAST	-	-	-	-	-	-	-	-	-	-	-	-	-	-	-	10.00	6.00	2.63	7.50	4.00	4.82	-	-	-	
627-100K UPPER CAST	-	-	-	-	-	-	-	-	-	-	-	-	-	-	-	12.50	7.63	4.50	10.00	5.50	6.32	-	-	-	

RATED CAPACITY	DIMENSIONS									
	A	B	C	D	E	F	G	H	J	
50K	6.00	4.50	1.03	1.80	0.15	3.54	3.00	3.98	5/8-18 UNF x0.50 ▼	
100K	8.12	6.00	1.53	2.28	0.56	4.75	4.00	5.47	3/4-16 UNF x0.75 ▼	

DO NOT ALTER WITHOUT AGENCY NOTIFICATION

COTI GLOBAL SENSORS, INC.

CG-CC22  
CANISTER LOAD CELL

<p>THIS DOCUMENT CONTAINS PROPRIETARY INFORMATION AND SUCH INFORMATION MAY NOT BE REPRODUCED OR DISCLOSED FOR ANY PURPOSE OR USED TO PRODUCE THE ARTICLE OR SUBJECT WITHOUT WRITTEN PERMISSION FROM COTI GLOBAL SENSORS, INC.</p>	<p>TOLERANCES UNLESS OTHERWISE SPECIFIED          .XX = ±0.02"          .XXX = ±0.005"          .XXXX = ±0.0002"          FRACTIONS: ±1/16"          ANGLES DEC: ±1/8"</p>	APPROVALS	DATE	<table border="1"> <tr> <td>SCALE</td> <td>SIZE</td> <td>PART/DRAWING NO.</td> <td>REV.</td> </tr> <tr> <td>NONE</td> <td>B</td> <td>DOD-CG-CC22</td> <td>D</td> </tr> </table>	SCALE	SIZE	PART/DRAWING NO.	REV.	NONE	B	DOD-CG-CC22	D
		SCALE	SIZE		PART/DRAWING NO.	REV.						
		NONE	B		DOD-CG-CC22	D						
		DRAWN: RLU	05/07/15		<table border="1"> <tr> <td>FINISH:</td> <td>PASSIVATED</td> <td>MODEL</td> <td>CG-CC22</td> </tr> </table>	FINISH:	PASSIVATED	MODEL	CG-CC22			
FINISH:	PASSIVATED	MODEL	CG-CC22									
CHECKED: AA	05/07/15	<table border="1"> <tr> <td>SHEET</td> <td>1 OF 1</td> </tr> </table>	SHEET	1 OF 1								
SHEET	1 OF 1											
ENGINEER: JSP	05/07/15											
APPROVED: AA	05/07/15											