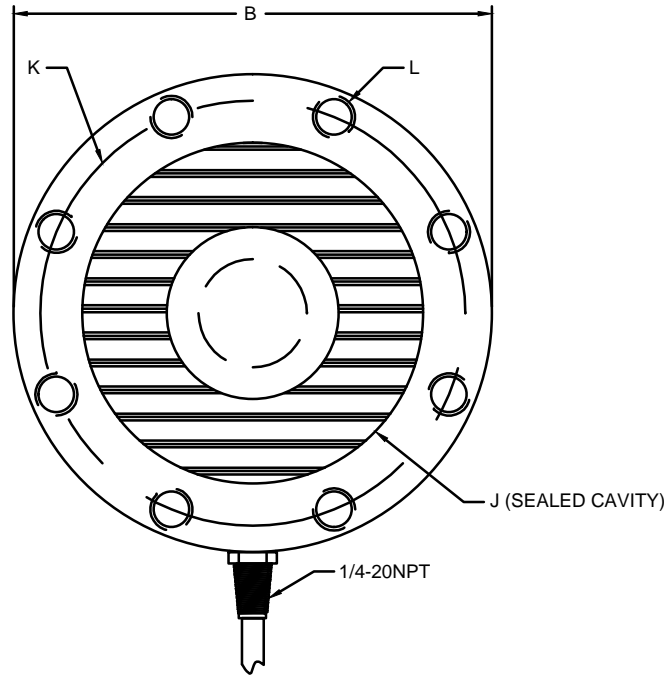
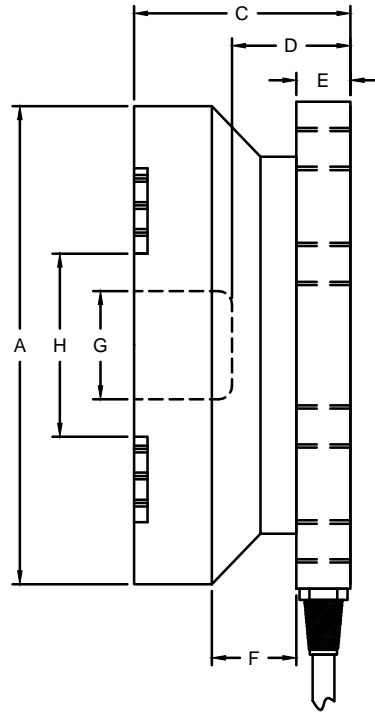


ZONE		REVISIONS			DATE	ECN	BY	CKD	APVD
-	D	REDRAWN FOR CATALOG			5/26/15	2015-38	RLU	JSP	AA



PERFORMANCE SPECIFICATIONS:

- CAPACITIES: 20K, 50K, 75K, 100K, 150K, 200K. (LB)
- RATED OUTPUT: 2.00 mV/V \pm 0.25%.
- SAFE OVERLOAD: 150% FS.
- EXCITATION VOLTAGE: 10V AC/DC (15V MAX).
- INPUT RESISTANCE: 750 \pm 10 Ω .
- OUTPUT RESISTANCE: 700 \pm 5 Ω .
- ZERO BALANCE: \pm 1.00% FS.
- SEAL TYPE: ENVIRONMENTALLY SEALED IP67.
- NON-LINEARITY: \pm 0.05% FS.
- HYSTERESIS: \pm 0.03% FS.
- REPEATABILITY: \pm 0.01% FS.
- CREEP: \pm 0.03% FS IN 30 MINUTES.
- COMPENSATED TEMPERATURE RANGE: -10°C TO +40°C.
- TEMPERATURE EFFECT ON ZERO: \pm 0.0027% FS/°C.
- TEMPERATURE EFFECT ON OUTPUT: \pm 0.0015% FS/°C.
- INSULATION RESISTANCE: 5000 MEGOHMS.
- LOAD CELL CABLE: 4-24AWG, \varnothing 5.6MM, PVC, 50FT.
- LOAD CELL WIRING:
 - GRN (+EXC)
 - BLK (-EXC)
 - WHT (+SIG)
 - RED (-SIG)
 - BRAID/YELLOW: SHIELD
- FM APPROVED.

RATED CAPACITY	DIMENSIONS										
	A	B	C	D	E	F	G	H	J	K	L
20K	4.42	4.50	2.00	1.25	0.50	0.75	1.00	1.69	3.27	3.93	3/8-24 UNF
50K	5.42	5.50	2.50	1.50	0.50	1.00	1.50	2.19	3.90	4.76	7/16-20 UNF
75K	5.42	5.50	2.50	1.50	0.50	1.00	1.50	2.19	3.90	4.76	7/16-20 UNF
100K	5.42	5.50	2.63	1.50	0.50	1.00	1.50	2.19	3.90	4.76	7/16-20 UNF
150K	5.92	6.00	3.40	1.90	0.50	1.40	2.00	2.64	4.33	5.30	1/2-20 UNF
200K	5.92	6.00	3.40	1.90	0.50	1.40	2.00	2.64	4.33	5.30	1/2-20 UNF

DO NOT ALTER WITHOUT AGENCY NOTIFICATION

COTI GLOBAL SENSORS, INC.

CG - JRT
CANISTER LOAD CELL

<p>THIS DOCUMENT CONTAINS PROPRIETARY INFORMATION AND SUCH INFORMATION MAY NOT BE REPRODUCED OR DISCLOSED FOR ANY PURPOSE OR USED TO PRODUCE THE ARTICLE OR SUBJECT WITHOUT WRITTEN PERMISSION FROM COTI GLOBAL SENSORS, INC.</p>	<p>TOLERANCES UNLESS OTHERWISE SPECIFIED .XX = \pm0.02" .XXX = \pm0.005" .XXXX = \pm0.0002" FRACTIONS: \pm1/16" ANGLES DEC: \pm1/8"</p>	APPROVALS	DATE	SCALE	SIZE	PART/DRAWING NO.	REV.
		DRAWN: RLU	05/26/15	NONE	B	DOD-CG-JRT	D
		CHECKED: AA	05/26/15	MODEL CG-JRT		SHEET	1 OF 1
		ENGINEER: JSP	05/26/15				
		APPROVED: AA	05/26/15				