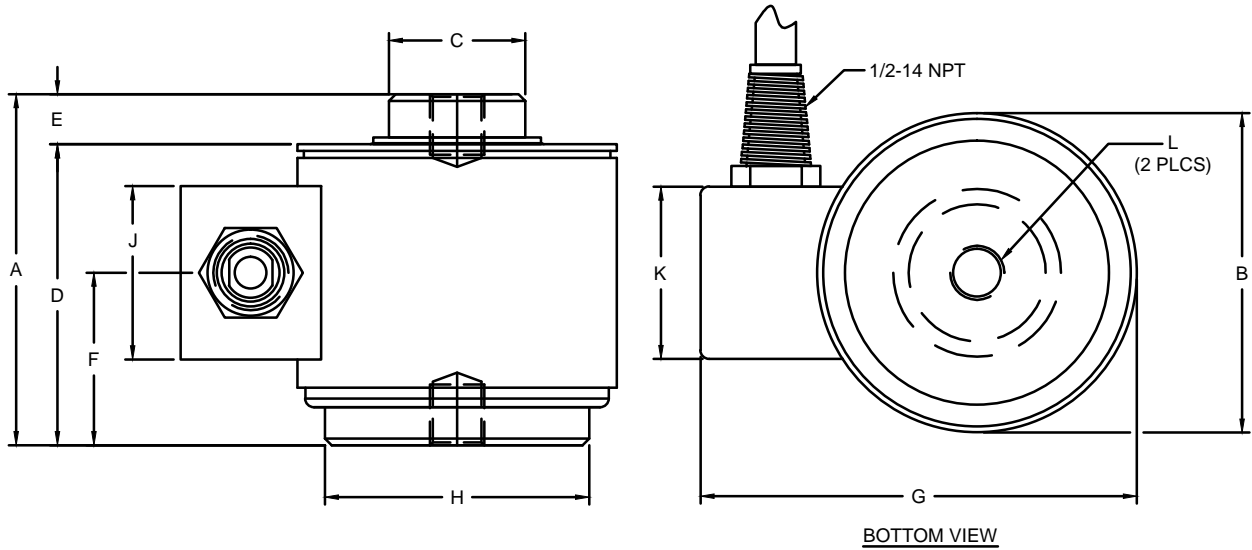


ZONE		REVISIONS			APVD		
LTR.	DESCRIPTION	DATE	ECN	BY	CKD	APVD	
-	B REDRAWN FOR CATALOG	5/20/15	2015-34	RLU	JSP	AA	

PERFORMANCE SPECIFICATIONS:

- CAPACITIES: 500LB, 1K, 2K, 2.5K, 5K, 10K, 20K, 25K, 50K, 100K, 150K, 200K, 250K. (LB)
- RATED OUTPUT: 2.0 mV/V $\pm 0.25\%$.
- SAFE OVERLOAD: 150% FS.
- EXCITATION VOLTAGE: 10V AC/DC (15V MAX).
- INPUT RESISTANCE: 380 $\pm 10\Omega$.
- OUTPUT RESISTANCE: 350 $\pm 5\Omega$.
- ZERO BALANCE: $\pm 1.00\%$ FS.
- SEAL TYPE: HERMETICALLY SEALED IP67.
- NON-LINEARITY: $\pm 0.05\%$ FS.
- HYSTERESIS: $\pm 0.03\%$ FS.
- REPEATABILITY: $\pm 0.01\%$ FS.
- CREEP: $\pm 0.03\%$ FS IN 30 MINUTES.
- COMPENSATED TEMPERATURE RANGE: -10°C TO +40°C.
- TEMPERATURE EFFECT ON ZERO: $\pm 0.0027\%$ FS/°C.
- TEMPERATURE EFFECT ON OUTPUT: $\pm 0.0015\%$ FS/°C.
- INSULATION RESISTANCE: 5000 MEGOHMS.
- LOAD CELL CABLE: 4-24AWG, $\varnothing 5.6\text{MM}$, PVC, 30FT.
- LOAD CELL WIRING:
GRN (+EXC)
BLK (-EXC)
WHT (+SIG)
RED (-SIG)
BRAID/YELLOW: SHIELD
- FM APPROVED.



RATED CAPACITY	DIMENSIONS										
	A	B	C	D	E	F	G	H	J	K	L (2 PLCS)
500LB - 1K	3.25	3.00	1.25	2.82	0.57	1.57	4.08	2.28	1.57	1.57	1/2-20x0.50
2K - 50K	3.25	3.00	1.25	2.82	0.61	1.57	4.08	2.28	1.57	1.57	1/2-20x0.50
100K	5.00	4.00	2.31	4.43	0.72	2.44	5.13	3.13	1.57	1.97	1/2-20x0.50
150K - 250K	7.25	6.00	3.00	6.25	1.15	3.34	7.07	5.28	1.97	1.97	1/2-20x0.50

DO NOT ALTER WITHOUT AGENCY NOTIFICATION

COTI GLOBAL SENSORS, INC.

**CG - SP9
LOAD CELL**

	APPROVALS		DATE	THIS DOCUMENT CONTAINS PROPRIETARY INFORMATION AND SUCH INFORMATION MAY NOT BE REPRODUCED OR DISCLOSED FOR ANY PURPOSE OR USED TO PRODUCE THE ARTICLE OR SUBJECT WITHOUT WRITTEN PERMISSION FROM COTI GLOBAL SENSORS, INC.	TOLERANCES UNLESS OTHERWISE SPECIFIED .XX = ± 0.02 " .XXX = ± 0.005 " .XXXX = ± 0.0002 " FRACTIONS: $\pm 1/16$ " ANGLES: DEC: ± 15 "
	DRAWN:	RLU	05/20/15		
	CHECKED:	AA	05/20/15		
	ENGINEER:	JSP	05/20/15		
APPROVED:	AA	05/20/15			
MATERIAL:	STAINLESS STEEL				
FINISH:	PASSIVATED				
SCALE	SIZE	PART/DRAWING NO.	REV.		
NONE	B	DOD-CG-SP9	B		
MODEL CG-SP9			SHEET	1 OF 1	