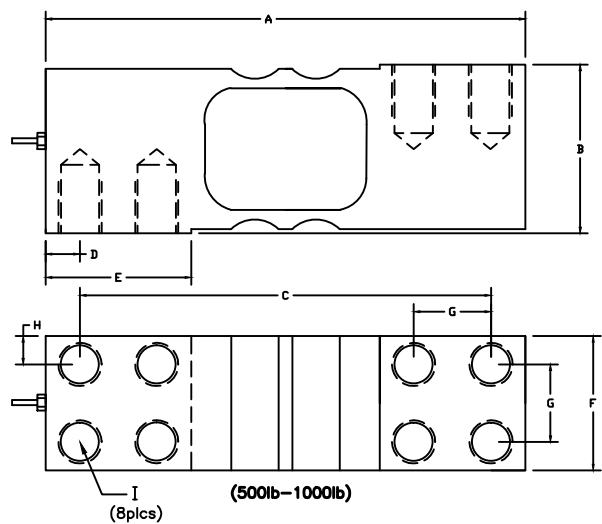
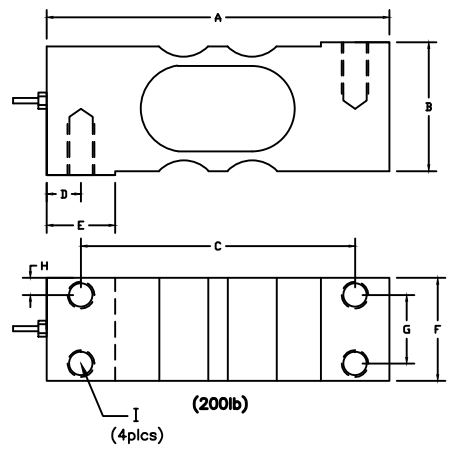


4

3

2

1



| RATED CAPACITY | DIMENSIONS | | | | | | | | | |
|----------------|------------|------|------|------|------|------|------|------|----------------|--|
| | A | B | C | D | E | F | G | H | I | |
| 200lb | 5.00 | 1.94 | 4.00 | 0.50 | 1.00 | 1.50 | 1.00 | 0.25 | M10X1.5X0.75dp | |
| 500lb-1000lb | 7.00 | 2.46 | 6.00 | 0.50 | 2.13 | 1.96 | 1.13 | 0.42 | M16X2.0X0.75dp | |

REVISIONS

| ZONE | LTR. | DESCRIPTION | DATE | ECN | BY | CKD | APVD |
|------|------|-----------------|---------|-----|----|-----|------|
| - | - | INITIAL RELEASE | 3/15/11 | - | - | - | - |

PERFORMANCE SPECIFICATIONS:

- CAPACITIES: 200lb, 500lb, & 1000lb
- RATED OUTPUT: 2.00 mV/V ±10%
- SAFE OVERLOAD: 150% FS
- EXCITATION VOLTAGE: 10-20V AC/DC
- INPUT RESISTANCE: 410 ±10 OHMS
- OUTPUT RESISTANCE: 350 ±3 OHMS
- ZERO BALANCE: ±1.00% FS
- SEAL TYPE: ENVIRONMENTALLY SEALED, IP67
- NON-LINEARITY: ±0.03% FS
- HYSTERESIS: ±0.03% FS
- REPEATABILITY: ±0.02% FS
- CREEP: ±0.03% FS
- COMPENSATED TEMPERATURE RANGE: -10°C - +40°C
- TEMPERATURE EFFECT ON ZERO: ±0.002%FS/°C
- TEMPERATURE EFFECT ON OUTPUT: ±0.001%FS/°C
- INSULATION RESISTANCE: >5000 MEGOHMS
- LOAD CELL CABLE: 4 CONDUCTOR, 10 FT
- LOAD CELL WIRING:
 - GREEN +EXC
 - BLACK -EXC
 - RED +SIG
 - WHITE -SIG
 - BRID/YELLOW: SHIELD
- FM APPROVED
- MAX PLATFORM SIZE: 600 X 600 mm

DO NOT ALTER WITHOUT AGENCY NOTIFICATION

COTI GLOBAL SENSORS, INC.

CG-SPLM SINGLE POINT CELL

| | | | | | |
|---|--|--|--|---|------------------------|
| | THIS DRAWING USES THIRD ANGLE PROJECTION 此圖採用第三角投影法 | APPROVALS | DATE | SCALE SIZE PART/DRAWING NO. MODEL CG-SPLM | REV. - SHEET 1 OF 1 |
| | | DRAWN: DH CHECKED: MB ENGINEER: DH APPROVED: AA | 3/15/11 3/15/11 3/15/11 3/15/11 | | |
| TOLERANCES UNLESS OTHERWISE SPECIFIED 公差除非另有註明 | | MATERIAL STAINLESS STEEL | | | |