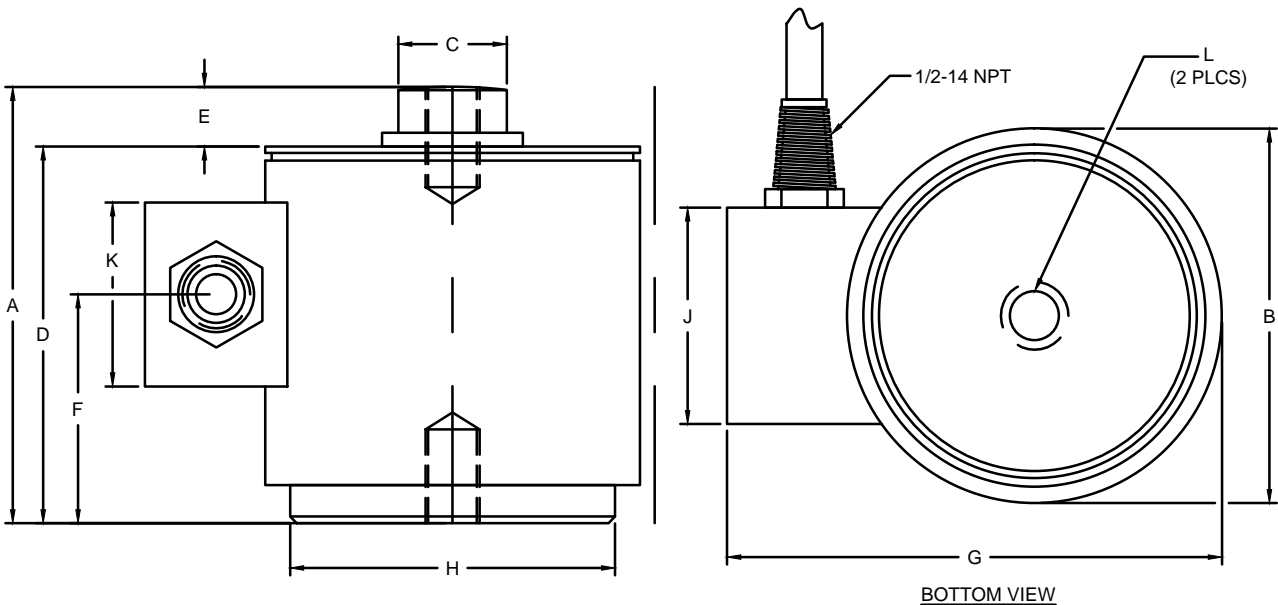


ZONE		LTR.		DESCRIPTION		DATE	ECN	BY	CKD	APVD
-		B		REDRAWN FOR LABELING CONSISTENCY		2/29/16	2016-01	TB	AB	AA

- PERFORMANCE SPECIFICATIONS:**
- CAPACITIES: 5K, 10K, 20K, 50K, 100K, 200K, 250K. (LB)
 - RATED OUTPUT: 3.00mV/V $\pm 0.25\%$.
 - SAFE OVERLOAD: 150% FS.
 - EXCITATION VOLTAGE: 10V AC/DC (15V MAX).
 - INPUT RESISTANCE: 385 $\pm 10\Omega$.
 - OUTPUT RESISTANCE: 350 $\pm 5\Omega$.
 - ZERO BALANCE: $\pm 1.00\%$ FS.
 - SEAL TYPE: HERMETICALLY SEALED IP67.
 - NON-LINEARITY: $\pm 0.05\%$ FS.
 - HYSTERESIS: $\pm 0.03\%$ FS.
 - REPEATABILITY: $\pm 0.01\%$ FS.
 - CREEP: $\pm 0.03\%$ FS IN 30 MINUTES.
 - COMPENSATED TEMPERATURE RANGE: -10°C TO +40°C.
 - TEMPERATURE EFFECT ON ZERO: $\pm 0.0027\%$ FS/°C.
 - TEMPERATURE EFFECT ON OUTPUT: $\pm 0.0015\%$ FS/°C.
 - INSULATION RESISTANCE: 5000 MEGOHMS.
 - LOAD CELL CABLE: 4-24AWG, $\varnothing 5.6\text{MM}$, PVC, 50FT.
 - LOAD CELL WIRING:

GRN (+EXC)	GRN (+EXC)
BLK (-EXC)	BLK (-EXC)
WHT (+SIG)	RED (+SIG)
RED (-SIG)	WHT (-SIG)
YELLOW: SHIELD	YELLOW: SHIELD
COMPRESSION + SIGNAL.	TENSION + SIGNAL
 - FM APPROVED.



RATED CAPACITY	DIMENSIONS										
	A	B	C	D	E	F	G	H	J	K	L
5K - 10K	5.94	3.50	1.40	5.44	0.44	3.00	4.54	2.99	1.97	1.97	1-14 x 1.25 DEEP
20K	8.50	5.00	2.21	8.00	0.44	4.25	6.04	4.49	1.97	1.97	1-1/2-12 x 2.00 DEEP
50K	11.44	6.50	2.16	10.50	0.81	5.75	7.57	6.30	2.36	2.36	1-1/2-12 x 2.00 DEEP
100K	11.44	6.50	2.95	10.50	0.81	5.75	7.46	5.79	2.36	2.36	2-12 x 2.25 DEEP
200K - 250K	16.25	8.00	3.54	14.81	1.31	8.00	9.16	7.32	2.36	2.36	2-1/2-12x2.75 DEEP

DO NOT ALTER WITHOUT AGENCY NOTIFICATION

COTI GLOBAL SENSORS, INC.

CG - TC43
CANISTER LOAD CELL

	APPROVALS		DATE
	DRAWN: RLU		05/26/15
	CHECKED: AA		05/26/15
	ENGINEER: JSP		05/26/15
	APPROVED: AA		05/26/15
MATERIAL: STAINLESS STEEL			
FINISH: PASSIVATED			
SCALE	SIZE	PART/DRAWING NO.	REV.
NONE	B	DOD-CG-TC43	B
MODEL CG-TC43		SHEET 1 OF 1	

THIS DOCUMENT CONTAINS PROPRIETARY INFORMATION AND SUCH INFORMATION MAY NOT BE REPRODUCED OR DISCLOSED FOR ANY PURPOSE OR USED TO PRODUCE THE ARTICLE OR SUBJECT WITHOUT WRITTEN PERMISSION FROM COTI GLOBAL SENSORS, INC.

TOLERANCES UNLESS OTHERWISE SPECIFIED
 .XX = ± 0.02 "
 .XXX = ± 0.005 "
 .XXXX = ± 0.0002 "
 FRACTIONS: $\pm 1/16$ "
 ANGLES: DEC: $\pm 1/8$ "