

5000  
series



# quality design and reliability

## mature proven technology



With 50,000 units sold globally the 5000 series of indicators represents mature proven technology. With an extensive range of interfaces and mounting options, installations can be readily customized, which represents savings for the user.

Support for common industry standards used in process control - which allows for easy system integration.

- Built-in RS232 serial communication
- Built-in RS485 networking
- Modbus ASCII
- Analogue Output 4-20mA or 0-10V with 1/65,000 resolution
- Isolated digital I/O

(easy integration)



|   |  |
|---|--|
| <b>DIN standard housing</b>                   | Allows for the unit to be readily mounted into standard DIN cutouts, reducing modifications to the units they are being installed into.  |
| <b>High current outputs</b>                   | Reduces wiring and the need for external relays, saving installation cost and reducing overall system size.  |
| <b>Isolated outputs</b>                       | Eliminates the possibility of the external control systems influencing the weighing process, therefore simplifying system design and installation.   |
| <b>Robust I/O</b>                             | Reduces unplanned outages due to component failure and reduced life time costs for the installation.   |
| <b>Built in AC version</b>                    | Suitable for permanent installation into an industrial environment.  |
| <b>Wide DC operating range</b>                | Eliminates the need for third party power supplies saving on system complexity and cost.   |
| <b>Built in clock calendar</b>                | Allows for traceable dockets to be printed, requiring a less sophisticated printer, saving costs.  |
| <b>Printing can be customized</b>             | Easier setup and reduces the need for additional external programming.   |
| <b>PC configuration software (Viewer)</b>     | Ability to transfer and backup configuration for faster, easier indicator setup.   |
| <b>Versatile Mounting Options</b>             | Stainless steel desk/wall mounting options and an IP65 stainless steel housing ensures that the indicators can be suitably mounted with simplicity in a variety of environments.   |
| <b>Relay Output Module<br/>DIN Rail Mount</b> | <ul style="list-style-type: none"> <li>• four (4) voltage free relay outputs</li> <li>• outputs are independent and isolated</li> <li>• rated to 250VAC and 8A</li> <li>• normally open (N/O) and normally closed (N/C) contacts</li> <li>• 12 or 24VDC versions</li> <li>• Easy fault finding with LED indication;</li> </ul> |



#### **5000\* - Industrial Process Controller**

- High contrast LED display
- Batching - 2 Material 2 Speed
- Totalising, Hold and Peak Hold
- Can be used in combination with the 6700 summing indicator making it ideal for use on split weigh bridges

#### **6700 - Summing controller, remote display or master/slave controller**

- Remote display
- Network master to a slave 5xxx unit, allowing remote operation from the 6700 unit.
- Summing master controller for slave 5xxx units connected on a multi-drop serial RS485 bus. The resulting total weight is displayed on the 6700.
- Applications – multi deck weigh bridges

#### **5100\* - Batching**

- 99 Recipes
- Batch size adjustment by percentage or ratio
- Report and usage logs
- Up to 20 Materials
- Up to 3 Speed Fill

#### **5200 - General Purpose Controller with Check Weigh Functions**

- 99 Products - preset tare, setpoint targets and counting sample information can be stored for each product along with product totals
- Check weighing - 5 grading bands (4 setpoint check weights)
- Statistical reporting on product grading
- Totalising, Counting

#### **5230 - Truck Weighing**

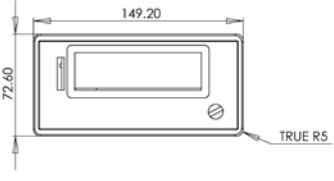
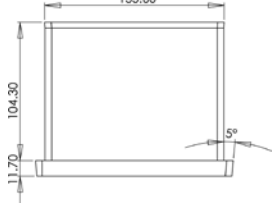
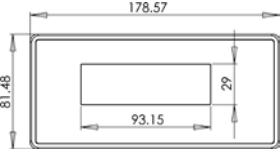
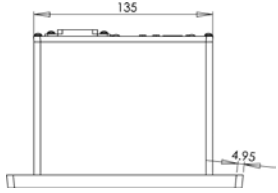
- Single Weighing with weigh In-Out
- Batch Process Single Weighing (In-Out) - where fill is performed directly on the weighbridge. The product fill from a silo, for example, can be controlled via the optional outputs.
- Multiple and Variable Axle Weighing (In-Out) - allows up to 10 axles of a vehicle to be weighed and the weights stored as the transaction.
- 200 memory allocations - to store truck, product and destination identification
- Material usage reporting - against truck ID and destination ID



\* The 5000 and 5100 are not available for sale in Europe

**5000 series**  
**THAT'S WEIGHING SMART**

| Performance             | 5000  | 5100   | 5200   | 5230  |
|-------------------------|---|--|--|---|
| Resolution              | Up to 100,000d, minimum of 0.15 $\mu$ V/division  |  |  |   |
| Approvals               | C-tick,<br>Trade Approval<br>Australia NMI(S-363)<br>6,000d @ 0.5uV/d                                   | C-tick,<br>Trade Approval<br>Australia NMI(S-363)<br>6,000d @ 1.5uV/d                                    | CE, C-tick,<br>Trade Approval Australia NMI(S-418)<br>6,000d @ 0.5uV/d<br>Trade Approval Europe OIML<br>6,000d @ 0.5uV/d |   |
| Zero Cancellation       | + / - 2.0mV/V   |  |  |   |
| Span Adjustment         | 0.1mV/V to 3.0mV/V full scale   |  |  |   |
| Excitation              | 8V for up to 8 x 350 ohm load cells<br>(4-wire or 6-wire plus shield)                                   |  | 8V for up to 12 x 350 ohm load cells<br>(4-wire or 6-wire plus shield)   |   |
| A/D Type                | 24 bit Sigma Delta with 8,388,608 internal counts   |  |  |   |
| Operating Environment   | Temperature -10 to +50°C, Humidity < 90% non condensing   |  |  |   |
| Display                 | Green LEDs with<br>14.5mm high 6 digit<br>primary display   | Backlit LCD with 20mm high 6 digit primary display   |  |   |
| Setup and Calibration   | Full digital with visual prompting in plain messages  |  |  |   |
| Digital Filter          | Averaging from 1 to 200 consecutive readings  |  |  |   |
| Zero Range              | Adjustable from 4% to 100% of full capacity   |  |  |   |
| Power Supply Options    | DC  | 12/24VDC 10VA  |  |   |
|                         | AC  | 110-240VAC 50/60Hz 10VA  |  |   |
| Correction              | 5 point linearity correction  |  |  |   |
| Serial Outputs          | Serial 1: RS232/RS485<br>Serial 2: RS232  |  |  |   |
| Assignable Function Key | -   | 1  |  |   |
| Operating Modes         | Single Range, Dual Range and Dual Interval  |  |  |   |
| Clock                   | Battery Backed Clock Calendar   |  |  |   |
| <b>Accessory Cards</b>  |   |  |  |   |
| Setpoint Accessory Card | 4 x isolated 50V, 500mA open collector transistor drives<br>and 4 x isolated digital inputs (5V to 28V) |  |  |   |
| Combo Accessory Card    | 0 to10 V or 4-20mA opto isolated analogue output, two outputs and one input.                            |  |  |   |
| No. of Option Slots     | 1   | 1 or 2 (Dual 12 - 24<br>VDC version)   | 1  |   |
| Protocols               | Modbus ASCII  |  |  |   |
| Functions               | 2 Material Batching<br>Totalising, Hold and<br>Peak Hold  | 20 Material Batching<br>99 Recipes<br>User defined material<br>and recipe names<br>Report and usage logs | Totalising, Counting,<br>Grading<br>99 Products<br>Catchweighing/check-<br>weighing<br>Configurable printing             | Single and Split weigh-<br>ing<br>200 Memory<br>allocations<br>On-scale product filling |
| Setpoints               | 4   | 20   | 4  | 4   |
| Packing Weights         | 1.1kg   | 1.3kg  | 1.2kg  | 1.2kg   |
| Optional Mounting       | Stainless steel desk and wall mounts, IP65 Stainless steel housing with desk mount                      |  |  |   |

| Weight Indicator  | Dimensions in mm<br>(1 inch = 25.4 mm)  |  | Mounting Options  |  |
|---|---|--|---|--|
| 5000 Front View   | 5000 Side View  | 5200 Front View  | 5200 Side View  |  |
|  |  |  |  |  |



**Australian Sales Office**  
41 Success Street  
Acacia Ridge  
Queensland 4110 Australia

Phone +61 7 3216 7166  
Fax +61 7 3216 6211  
Email: sales@rinstrum.com

**European Sales Office**  
Rinstrum Europe GmbH  
Donnersberging 14 – 18  
64295 Darmstadt

Phone: +49(0)6151-13617-0  
Fax: +49(0)6151-13617-29  
Email: info@rinstrum.de

[www.rinstrum.com](http://www.rinstrum.com)