

B3G



- Stainless steel IP67 "S" type load cell
- Tension and compression applications
- Suitable for hanging, hopper and other weighing devices
- Also available in imperial capacities and dimensions
- OIML test certificate no. D09-06.07
- OIML C of C no. R60/2000-CNI-06.02
- NTEP certificate no. 06-099A1

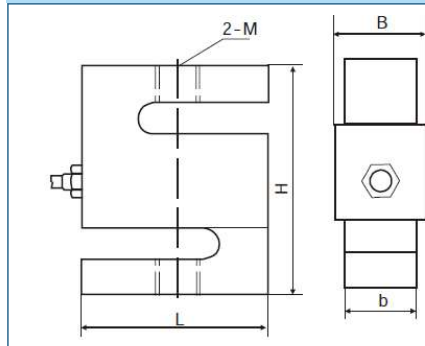
Available models

Capacity	Accuracy	Full article description
50 kg	C3	B3G-C3-50kg-6B
100 kg	C3	B3G-C3-100kg-6B
250 kg	C3	B3G-C3-250kg-6B
500 kg	C3	B3G-C3-500kg-6B
1.0 t	C3	B3G-C3-1.0t-6B
2.5 t	C3	B3G-C3-2.5t-6B
5.0 t	C3	B3G-C3-5.0t-6B
7.5 t	C3	B3G-C3-7.5t-6B
10 t	C3	B3G-C3-10.0t-6B

Specification

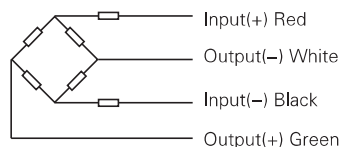
Accuracy class		OIML R60 C3		
Output sensitivity (= FS)	mV/V	3.0 ± 0.008		
Maximum capacity (Emax)	t	0.05/0.1	0.25/0.5/1/2.5	5/7.5/10
Maximum number of load cell intervals (nLC)		3000		
Ratio of minimum LC verification interval Y = Emax / vmin		7000	10000	12000
Combined error	%FS	± 0.0200		
Minimum dead load	kg	0		
Safe overload	of Emax	150 %		
Ultimate overload	of Emax	300 %		
Zero balance	%FS	± 1.0		
Excitation, recommended voltage	V	5 ~ 12(DC)		
Excitation maximum	V	18(DC)		
Terminal resistance, input	Ω	430 ± 50		
Terminal resistance, output	Ω	351 ± 2		
Insulation impedance	MΩ	≥ 5000 (at 50VDC)		
Temperature range, compensated	°C	-10 ~ +40		
Temperature range, operating	°C	-35 ~ +65		
Storage temperature	°C	-40 ~ +70		
Element material		Stainless steel		
Ingress Protection (according to EN 60529)		IP67		
Recommended torque on fixation	N.m	M8:25	M12:75	M20:450 M24:750 M30:1450
ATEX classification (optional)		II1G Ex ia IIC T4	II1D Ex iaD 20 T73°C	II3G Ex nL IIC T4

Dimensions in mm



Capacity	Dimension (mm)	L	H	b	B	M
0.05t, 0.1t		50.8 (2.0)	60.96 (2.4)	11.68 (0.46)	15.06 (0.59)	M8
0.25t, 0.5t		50.8 (2.0)	60.96 (2.4)	18.03 (0.71)	21.4 (0.84)	M12
1t (2, 2.5klb)		50.8 (2.0)	60.96 (2.4)	24.38 (0.96)	27.76 (1.09)	M12
2.5t (3klb)		76.2 (3.0)	99.06 (3.9)	24.38 (0.96)	27.76 (1.09)	M20 x 1.5
5klb		74.68 (2.94)	99.06 (3.9)	30.74 (1.21)	34.12 (1.34)	M20 x 1.5
5t (10klb)		87.38 (3.44)	139.7 (5.5)	37.08 (1.46)	40.46 (1.59)	M24 x 2
7.5t (15klb)		112.78 (4.44)	177.8(7.0)	42.93(1.69)	46.31(1.82)	M30 x 2

Wiring



- Shielded, 4 conductor cable.
- Cable diameter: Φ5mm
- Standard cable length: 6m
- Shield not connected to element