

BM6E



- Stainless steel IP68 single point load cell
- Suitable for single load cell structured platform scales
- High accuracy
- Maximum platform size: 600 x 600 mm

Available models

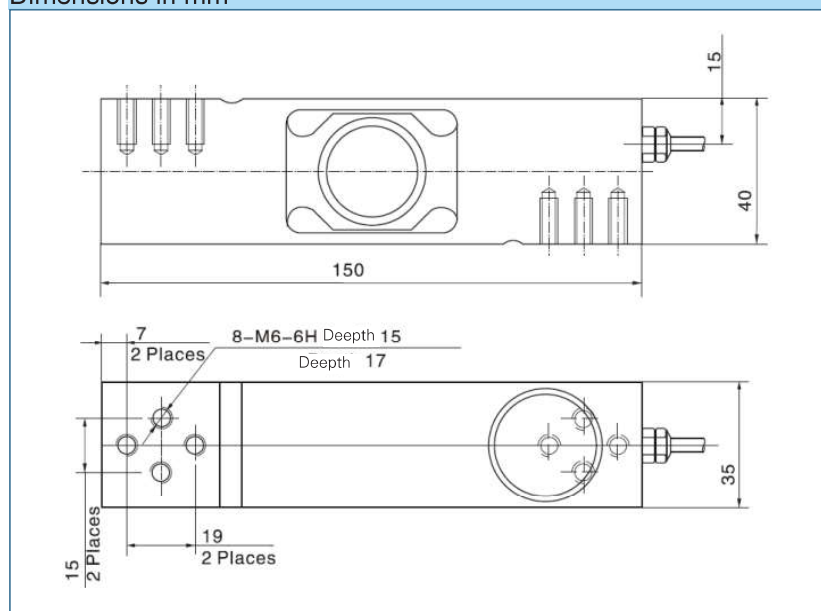
Capacity	Accuracy	Full article description
50kg	C3	BM6E-C3-50kg-2B
100kg	C3	BM6E-C3-100kg-2B
150kg	C3	BM6E-C3-150kg-2B
200kg	C3	BM6E-C3-200kg-2B
250kg	C3	BM6E-C3-250kg-2B
300kg	C3	BM6E-C3-300kg-2B

Specification

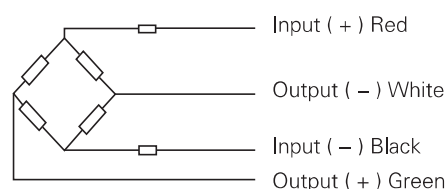
Accuracy class		C3
Output sensitivity (= FS)	mV/V	2.0 ± 0.2
Maximum capacity (Emax)	kg	50, 100, 150, 200, 250, 300
Maximum number of load cell intervals (nLC)		3000
Ratio of minimum LC verification interval Y = Emax / vmin		10000
Combined error	%FS	± 0,0230
Minimum dead load	of Emax	0%
Safe overload	of Emax	150 %
Ultimate overload	of Emax	300 %
Zero balance	%FS	± 1.5
Excitation, recommended voltage	V	5 ~ 12 (DC)
Excitation maximum	V	18 (DC)
Terminal resistance, input	Ω	350 ± 3.5
Terminal resistance, output	Ω	351 ± 2.0
Insulation impedance	MΩ	≥ 5000 (at 50VDC)
Temperature range, compensated	°C	-10 ~ +40
Temperature range, operating	°C	-35 ~ +65
Storage temperature	°C	-40 ~ +70
Element material		Stainless steel
Recommended torque on fixation bolts	N.m	M6: 10
Corner correction		0.02 % load value / 100 mm
Ingress Protection (according to EN 60529)		IP68

Note: "S1" Output Sensitivity is 2.0+/-0.002mv

Dimensions in mm



Wiring



- Shielded cable, 4 conductor cable.
- Cable diameter: Φ 5mm.
- Standard cable length: 2m.
- Shield not connected to element