

H9N

- Alloy steel IP67 dual shear beam load cell
- High accuracy
- Suitable for track and truck scales and other weighing devices



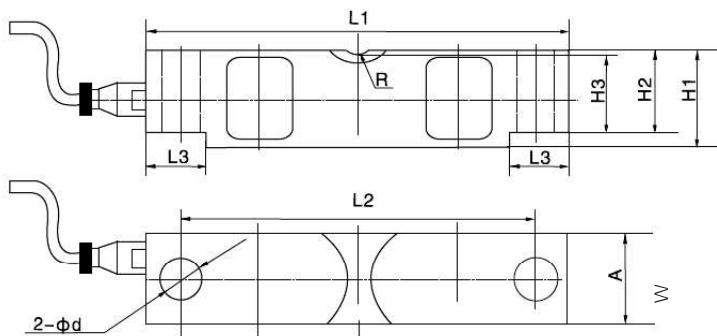
Available models

Capacity	Accuracy	Full article description
25 klb	D3	H9N-D3-25K-9B
40 Klb	D3	H9N-D3-40K-9B
50 Klb	D3	H9N-D3-50K-9B
60 Klb	D3	H9N-D3-60K-9B
75 Klb	D3	H9N-D3-75K-9B
100 Klb	D3	H9N-D3-100K-9B
125 Klb	D3	H9N-D3-125K-9B
150 Klb	D3	H9N-D3-150K-9B
200 Klb	D3	H9N-D3-200K-9B

Specification

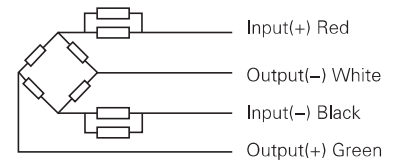
Accuracy class		D3
Output sensitivity (= FS)	mV/V	3.0 ± 0.003
Maximum capacity (Emax)	klb	25, 40, 50, 60, 75, 100, 125, 150, 200
Maximum number of load cell intervals (nLC)		10000
Ratio of minimum LC verification interval Y = Emax / vmin		7500
Combined error	%FS	± 0.020
Safe overload	of Emax	150 %
Ultimate overload	of Emax	300 %
Zero balance	%FS	± 1.0
Excitation, recommended voltage	V	5 ~ 12(DC)
Excitation maximum	V	18(DC)
Terminal resistance, input	Ω	700 ± 7
Terminal resistance, output	Ω	703 ± 4
Insulation impedance	MΩ	≥ 5000 (at 50VDC)
Temperature range, compensated	°C	-10 ~ +40
Temperature range, operating	°C	-35 ~ +65
Element material		Alloy steel
Ingress Protection (according to EN 60529)		IP67
ATEX classification (optional)		II1G Ex ia IIC T4 II1D Ex iaD 20 T73°C C II3G Ex nL IIC T4

Dimensions in mm



Dimension \ Capacity	L	L1	L2	H	H1	H2	Φd	W	R
25klb	197 (7.75)	35 (1.38)	165 (6.5)	49.3 (1.94)	43.2 (1.7)	41.4 (1.63)	Φ 17.3 (0.68)	43 (1.7)	R19.1 (0.75)
40klb	260.4 (10.25)	49 (1.93)	216 (8.5)	62 (2.44)	53.3 (2.1)	50.8 (2.0)	Φ 20.6 (0.81)	49.3 (1.9)	R25.4 (1.0)
50~75klb	260.4 (10.25)	49 (1.93)	216 (8.5)	74.7 (2.94)	67.3 (2.65)	64.5 (2.54)	Φ 26.9 (1.06)	62 (2.44)	R25.4 (1.0)
100~125klb	387.4 (15.25)	79.5 (3.13)	324 (12.76)	98 (3.86)	87.1 (3.43)	83.8 (3.3)	Φ 41.2 (1.62)	73.7 (2.9)	R38.1 (1.5)
150~200klb	489 (19.25)	127.8 (5.03)	387.4 (15.25)	147.3 (5.8)	130.1 (5.12)	112.8 (4.44)	Φ 41.2 (1.62)	96.5 (3.8)	R50.8 (2.0)

Wiring



- Shielded, 4 conductor cable.
- Standard cable length: 9m
- Cable type and length for customer's own application are available on request.
- Shield connected to body.