

HM8C

- Nickel plated alloy steel IP68 shear beam load cell
- Hermetically sealed
- Suitable for electronic platform scales, hopper scales
- High accuracy

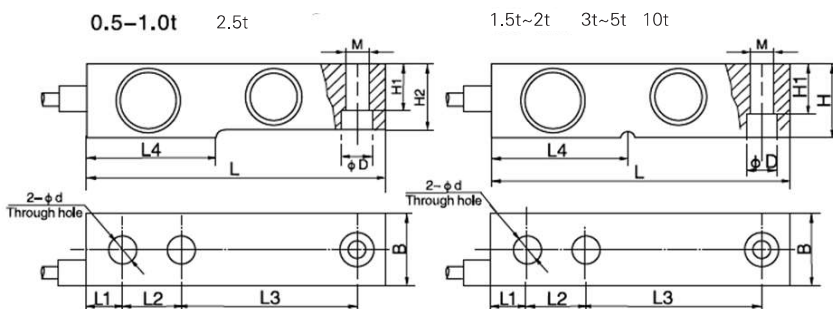


Available models		
Capacity	Accuracy	Full article description
500kg	C3 Excluded from OIML	HM8C-C3-500kg-4B
1t	C3 Excluded from OIML	HM8C-C3-1t-4B
1.5t	C3 Excluded from OIML	HM8C-C3-1.5t-4B
2t	C3 Excluded from OIML	HM8C-C3-2t-4B
3t	C3 Excluded from OIML	HM8C-C3-3t-4B
5t	C3 Excluded from OIML	HM8C-C3-5t-4B
10t	C3 Excluded from OIML	HM8C-C3-10t-4B

Specification

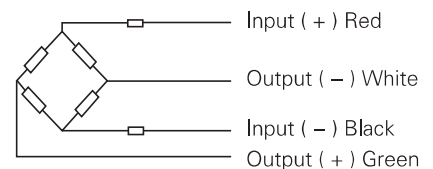
Accuracy class		C3		
Output sensitivity (= FS)	mV/V	2.0 ± 0.004		
Maximum capacity (Emax)	t	0.5, 1, 1.5, 2, 3, 5, 10		
Maximum number of load cell intervals (nLC)		3000		
Ratio of minimum LC verification interval Y = Emax / vmin		10000		
Combined error	%FS	± 0.0230		
Minimum dead load	of Emax	0%		
Safe overload	of Emax	150 %		
Ultimate overload	of Emax	300 %		
Zero balance	%FS	± 1.5		
Excitation, recommended voltage	V	5 ~ 12(DC)		
Excitation maximum	V	18(DC)		
Terminal resistance, input	Ω	350 ± 3.5		
Terminal resistance, output	Ω	351 ± 2.0		
Insulation impedance	MΩ	≥ 5000 (at 50VDC)		
Temperature range, compensated	°C	-10 ~ +40		
Temperature range, operating	°C	-35 ~ +65		
Storage temperature	°C	-40 ~ +70		
Element material		Nickel plated alloy steel		
Ingress Protection (acc. to EN 60529)		IP68		
Recommended torque on fixation bolts	N,m	M12: 100	M18:300	M24:750
ATEX classification (optional)		II1G Ex ia IIC T4	II1D Ex iaD 20 T73°C C	II3G Ex nL IIC T4

Dimensions in mm



Dimension Capacity(t)	L	L1	L2	L3	L4	H	H1	H2	B	ΦD	Φd	M
0.5	130 (5.12)	15.8 (0.62)	25.4 (1.0)	76.2 (3.0)	53.7 (2.11)	31.8 (1.25)	15.8 (0.62)	26 (1.02)	31.8 (1.25)	13.5 (0.53)	13.5 (0.53)	M12
1.0	130 (5.12)	15.8 (0.62)	25.4 (1.0)	76.2 (3.0)	53.7 (2.11)	31.8 (1.25)	15.8 (0.62)	28 (1.1)	31.8 (1.25)	13.5 (0.53)	13.5 (0.53)	M12
1.5-2	130 (5.12)	15.8 (0.62)	25.4 (1.0)	76.2 (3.0)	54.2 (2.13)	31.8 (1.25)	15.8 (0.62)	-	31.8 (1.25)	13.5 (0.53)	13.5 (0.53)	M12
2.5	171.5 (6.75)	19.1 (0.75)	38.1 (1.5)	95.3 (3.75)	76.2 (3.0)	38.1 (1.5)	18.8 (0.74)	34 (1.34)	38.1 (1.5)	19.8 (0.78)	19.8 (0.78)	M18
3-5	171.5 (6.75)	19.1 (0.75)	38.1 (1.5)	95.3 (3.75)	77.2 (3.04)	38.1 (1.5)	18.8 (0.74)	-	38.1 (1.5)	19.8 (0.78)	19.8 (0.78)	M18
10	222.3	25.4 (1.0)	50.8 (2.0)	120.3 (4.74)	101.6 (4.0)	50.8 (2.0)	25.4 (1.0)	-	50.8 (2.0)	26 (1.02)	26 (1.02)	M24

Wiring



- Shielded, 4 conductor cable.
- Cable diameter: Φ5mm.
- Standard cable length for 500kg -2t:4m and for 3t - 10t: 6m.
- Shield not connected to element.