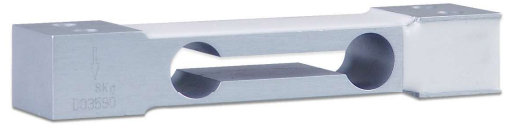


L6D

- Aluminium–Alloy IP65 single point load cell.
- Colourless anodized
- Suitable for pricing scales, bench scales, etc.
- Maximum platform size: 250 x 350 mm



test certificate no. TC7868 Revision 0
C of C no R60/2000–NL1–10.35



Certificate no. 11–012

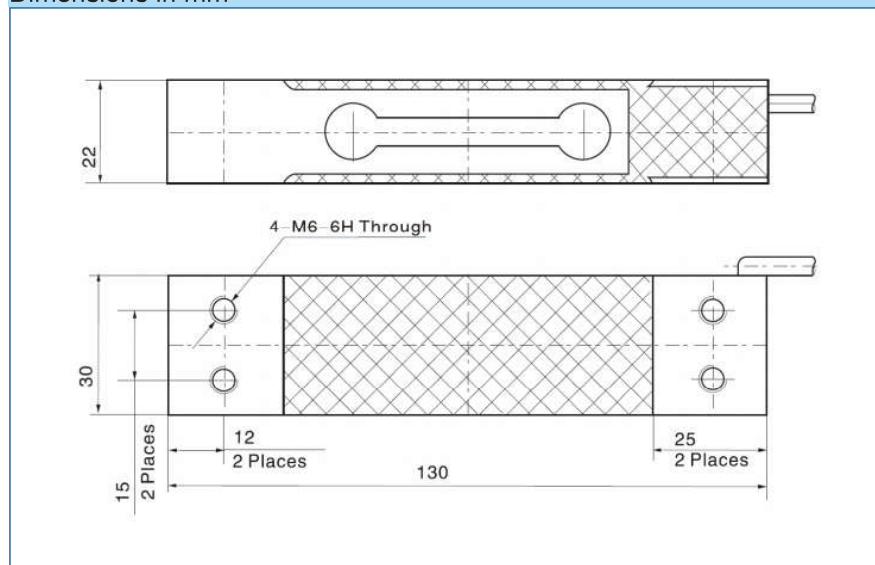
Available models

Capacity	Accuracy	Full article description
2,5 kg	C3 Excluded from OIML	L6D–C3–2,5kg–0,40B
3 kg	C3/C4/C5	L6D–C3/C4/C5–3kg–0,40B
5 kg	C3/C4/C5	L6D–C3/C4/C5–5kg–0,40B
6 kg	C3/C4/C5	L6D–C3/C4/C5–6kg–0,40B
8 kg	C3/C4/C5	L6D–C3/C4/C5–8kg–0,40B
10 kg	C3/C4/C5	L6D–C3/C4/C5–10kg–0,40B
15 kg	C3/C4/C5	L6D–C3/C4/C5–15kg–0,40B
20 kg	C3/C4/C5	L6D–C3/C4/C5–20kg–0,40B
30 kg	C3/C4/C5	L6D–C3/C4/C5–30kg–0,40B
35 kg	C3/C4/C5	L6D–C3/C4/C5–35kg–0,40B
40 kg	C3/C4/C5	L6D–C3/C4/C5–40kg–0,40B
50 kg	C3/C4/C5	L6D–C3/C4/C5–50kg–0,40B

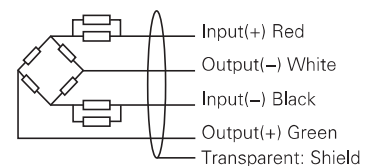
Specification

Accuracy class		C3	OIML R60 C3	OIML R60 C4	OIML R60 C5
Output sensitivity (= FS)	mV/V	2.0 ± 0.2			
Maximum capacity (Emax)	kg	2,5	3, 5, 6, 8, 10, 15, 20, 30, 35, 40, 50		
Maximum number of load cell intervals (nLC)		3000	3000	4000	5000
Ratio of minimum LC verification interval Y = Emax / vmin		10000	10000	15000	20000
Combined error	%FS	± 0.02		± 0.0150	± 0.01
Minimum dead load	of Emax	0%			
Safe overload	of Emax	150 %			
Ultimate overload	of Emax	300 %			
Zero balance	%FS	± 2.0			
Excitation, recommended voltage	V	5 ~ 12(DC)			
Excitation maximum	V	18(DC)			
Terminal resistance, input	Ω	406 ± 6			
Terminal resistance, output	Ω	350 ± 3			
Insulation impedance	MΩ	≥ 5000 (at 50VDC)			
Temperature range, compensated	°C	–10 ~ +40			
Temperature range, operating	°C	–35 ~ +65			
Storage temperature	°C	–40 ~ +70			
Element material		Aluminium			
Recommended torque on fixation bolts	N.m	< 30kg: 6		> 30kg: 10	
Ingress Protection (according to EN 60529)		IP65			

Dimensions in mm



Wiring



- Shielded, 4 conductor cable.
- Cable diameter: Φ3.8mm.
- Standard cable length: 0.40m
- Shield not connected to element.
- Cable jacket in PVC.