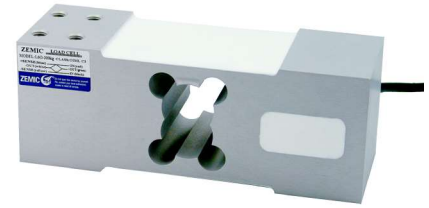


L6G

- Aluminium-alloy IP65 single point load cell.
- Colourless anodized
- Suitable for single and double load cells structured platform scales.
- Maximum platform size: 600 x 600 mm
- A 1000 Ohm type available (R1) but is excluded from OIML



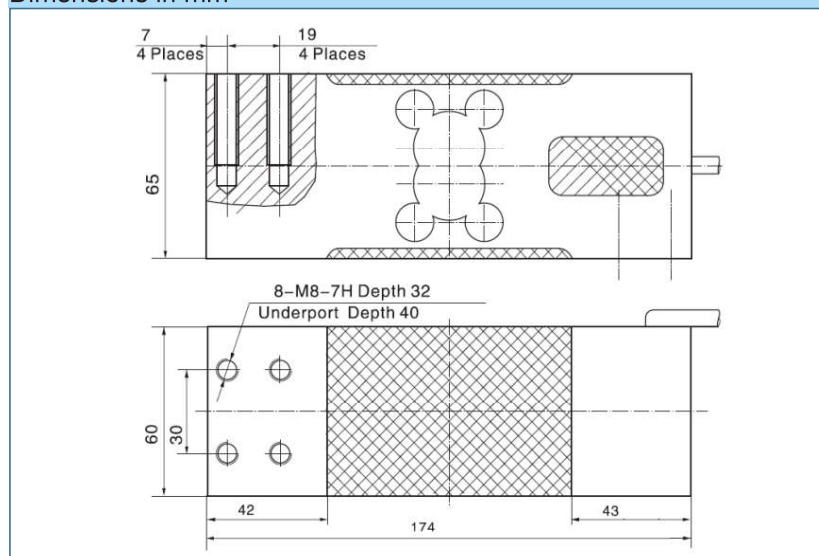
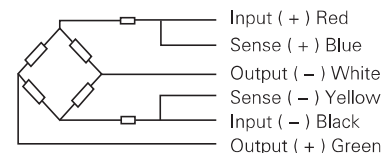
test certificate no. D09-03.22 Revision 2

Available models

Capacity	Accuracy	Full article description
50 kg	C3	L6G-C3-50kg-3G6
100 kg	C3	L6G-C3-100kg-3G6
150 kg	C3/C4	L6G-C3/C4 -150kg-3G6
200 kg	C3/C4	L6G-C3/C4 -200kg-3G6
250 kg	C3/C4	L6G-C3/C4 -250kg-3G6
300 kg	C3/C4	L6G-C3/C4 -300kg-3G6
500 kg	C3/C4	L6G-C3/C4 -500kg-3G6
600 kg	C3/C4	L6G-C3/C4 -600kg-3G6

Specification

		OIML R60 C3	OIML R60 C4
Accuracy class			
Output sensitivity (= FS)	mV/V	2.0 ± 0.2	
Maximum capacity (Emax)	kg	50, 100, 150, 200, 250, 300, 500,600	150, 200, 250, 300, 500, 600
Maximum number of load cell intervals (nLC)		3000	4000
Ratio of minimum LC verification interval Y = Emax / vmin		10000	15000
Combined error	%FS	± 0.02	± 0.0150
Minimum dead load	kg	0	
Safe overload	of Emax	120 %	
Ultimate overload	of Emax	150 %	
Zero balance	%FS	± 2.0	
Excitation, recommended voltage	V	5 ~ 12(DC)	
Excitation maximum	V	18(DC)	
Terminal resistance, input	Ω	406 ± 6	
Terminal resistance, output	Ω	350 ± 3	
Insulation impedance	MΩ	≥ 5000 (at 50VDC)	
Temperature range, compensated	°C	-10 ~+40	
Temperature range, operating	°C	-35 ~ +65	
Storage temperature	°C	-40 ~ +70	
Element material		Aluminium	
Recommended torque on fixation bolts	N.m	M8:25	
Ingress Protection (according to EN 60529)		IP65	

Dimensions in mm

Wiring


- Shielded, 6 conductor cable.
- Cable diameter: Φ5.9mm.
- Cable length: 3m.
- Shield connected to element.
- Cable jacket in PVC.